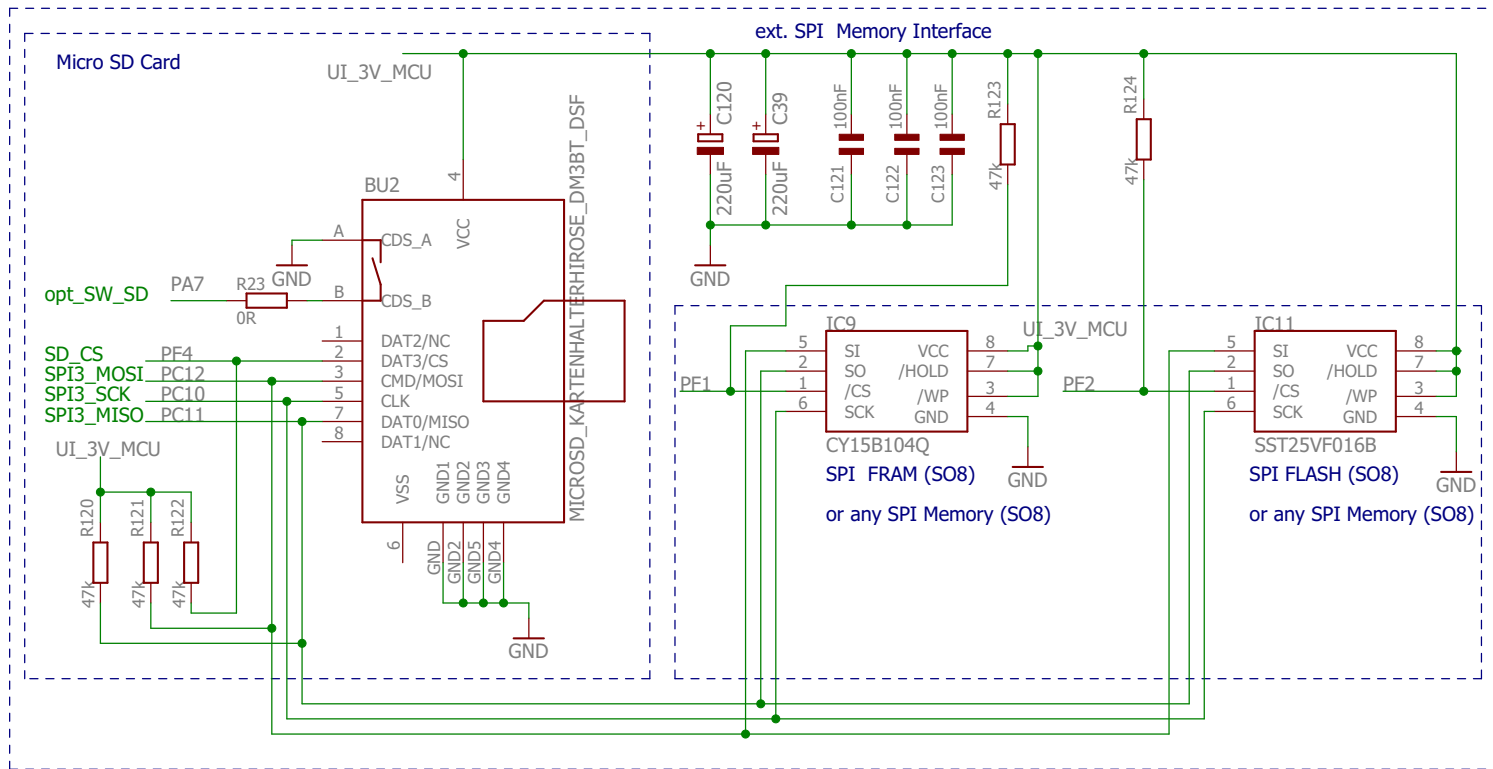
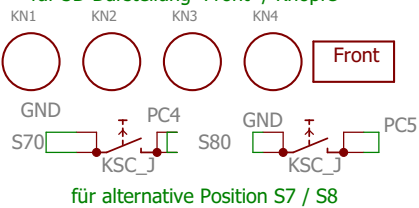


Copyright DG8YGW 2017
 This documentation describes Open Hardware and is licensed under the CERN OHL v.1.2. You may redistribute and modify this documentation under the CERN OHL v.1.2. (<http://ohwr.org/cernohl>). This documentation is distributed WITHOUT ANY EXPRESS OR IMPLIED WARRANTY, INCLUDING OF MERCHANTABILITY, SATISFACTORY QUALITY AND FITNESS FOR A PARTICULAR PURPOSE. Please see the CERN OHL v.1.2. for applicable conditions.

Analog: Audio/IQ Codec, Stereo PA, I/O	
TITLE: UHSDR_OVI40_UI_18	DG8YGW
Document Number: UHSDR-UI-0003	REV: 1.8
Date: 01.01.2018 15:42	Sheet: 3/4



keine zusätzlichen Bauteile, nur Hilfsmittel
für 3D Darstellung Front / Knöpfe



Copyright DG8YGW 2017
This documentation describes Open Hardware and is licensed under the CERN OHL v.1.2.
You may redistribute and modify this documentation under the CERN OHL v.1.2. (<http://ohwr.org/cernohl>). This documentation is distributed WITHOUT ANY EXPRESS OR IMPLIED WARRANTY, INCLUDING OF MERCHANTABILITY, SATISFACTORY QUALITY AND FITNESS FOR A PARTICULAR PURPOSE. Please see the CERN OHL v.1.2. for applicable conditions.

Ext Memory: SPI Micro SD-Card, FLASH, FRAM	
TITLE: UHSDR_OVI40_UI_18	DG8YGW
Document Number: UHSDR-UI-0004	REV: 1.8
Date: 01.01.2018 15:42	Sheet: 4/4