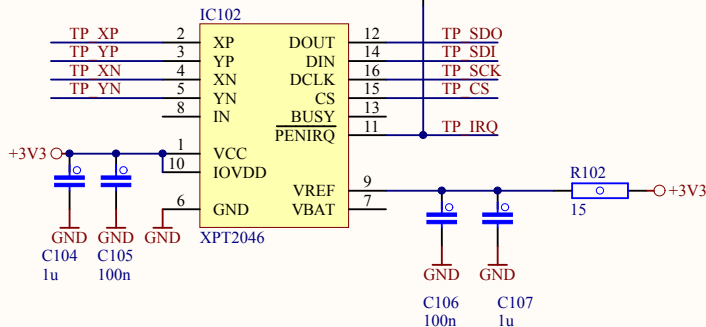
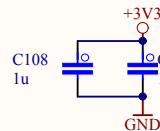
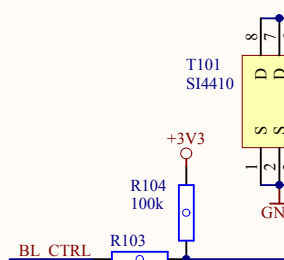
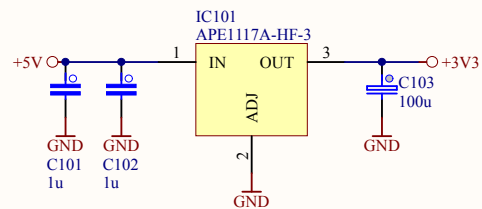
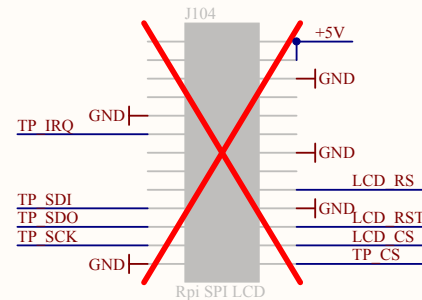
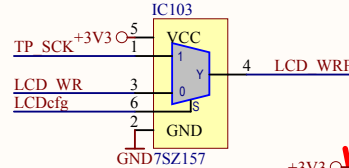
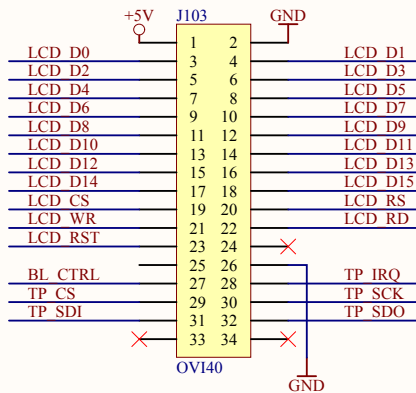
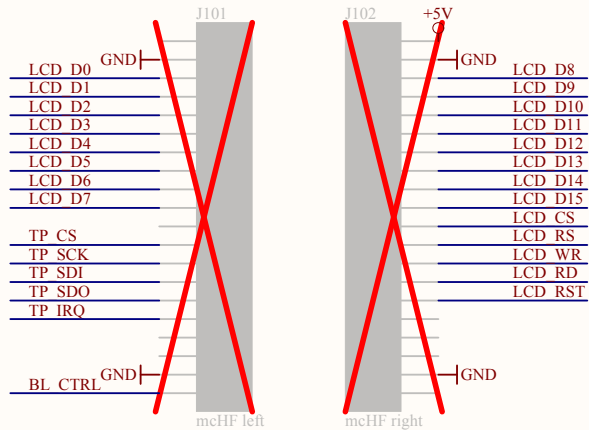
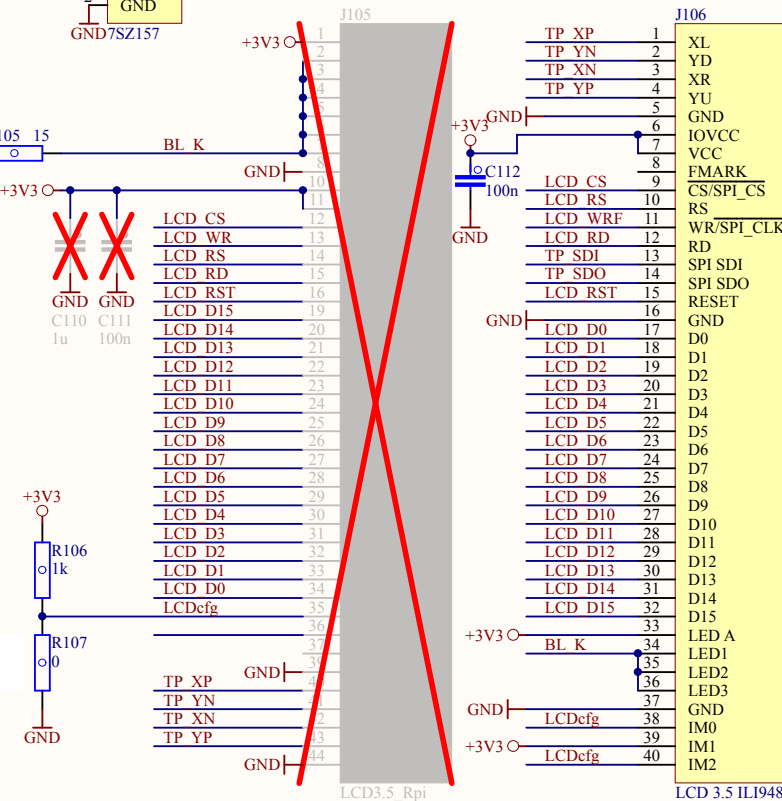


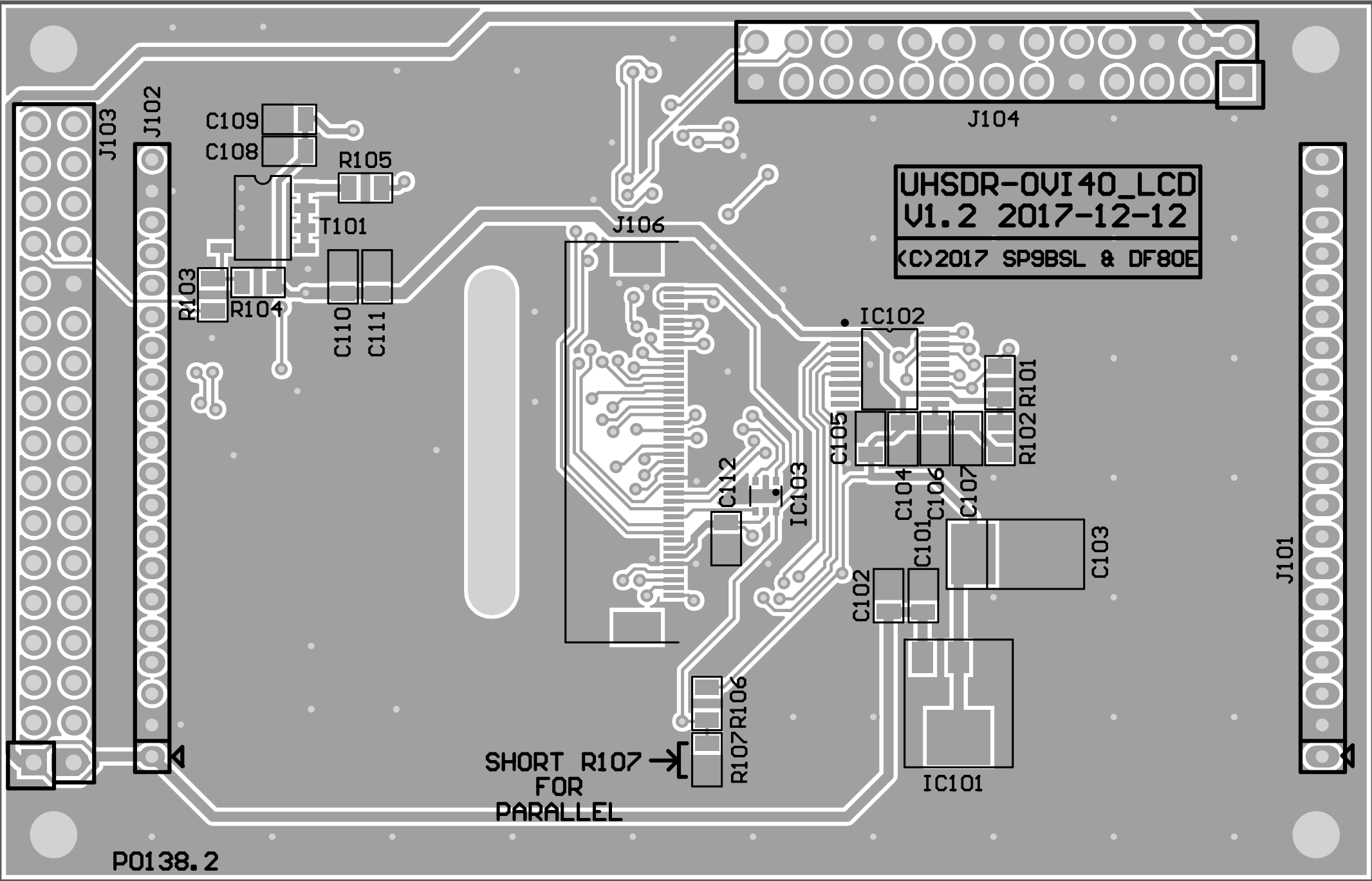
UI board connectors



Populate R107 with 0 ohm for parallel operation



Title			OVI40/mchF lcd adapter		
Size	Number		Revision		1.2
A4					
Date:	2018-01-10		Sheet 1 of 1		
File:	F:\works\13_5 LCD adapter\SchDoc		Drawn By: SP9BSL		



UHSDR-OVI40_LCD
V1.2 2017-12-12
(C)2017 SP9BSL & DF80E

SHORT R107
FOR
PARALLEL

P0138.2

Raspberry PI 3.5" LCD
(SPI mode)

1

44PIN 3.5" LCD
(PARALLEL mode)

44

