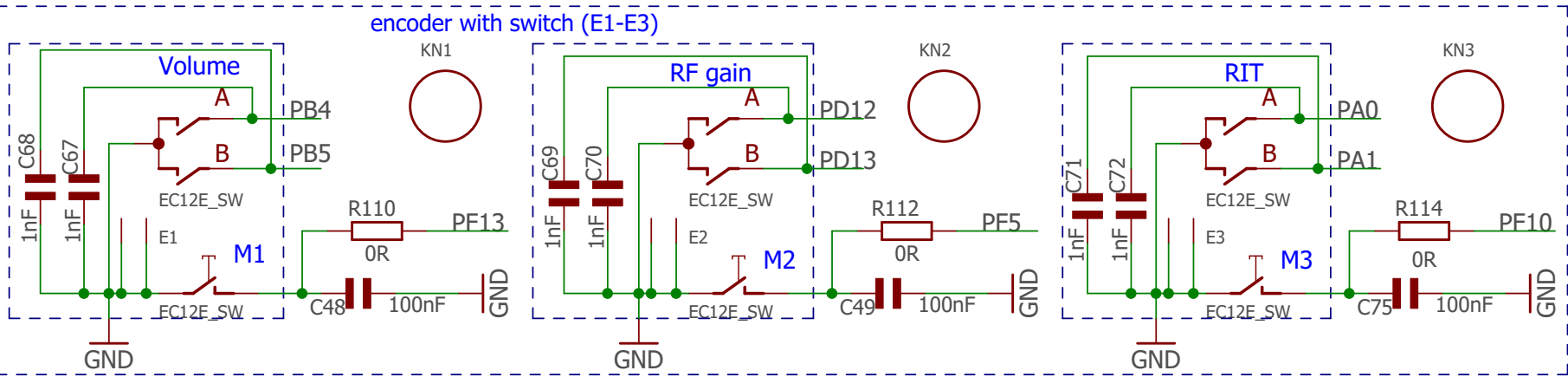
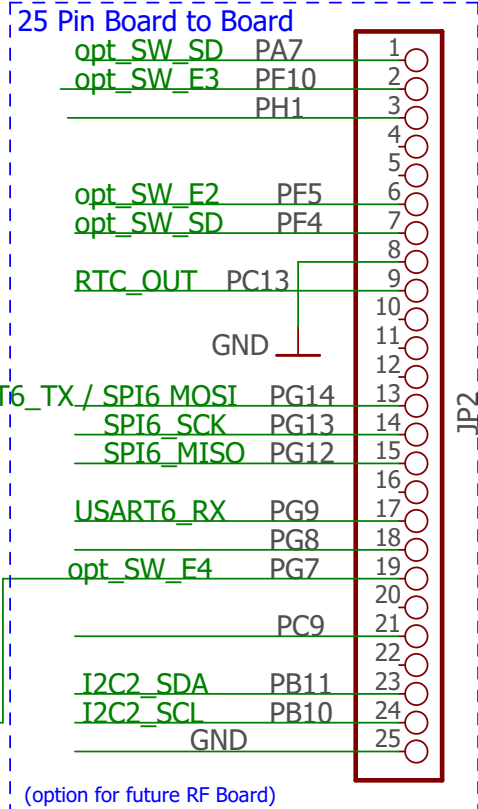
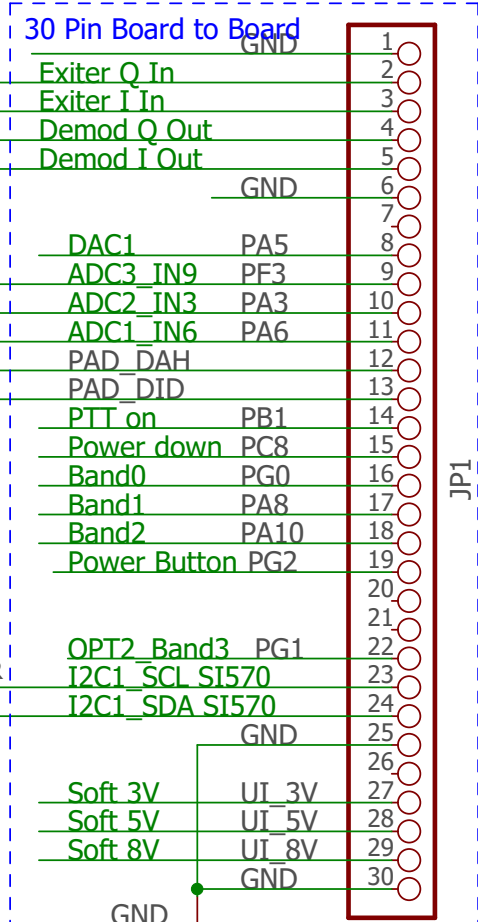
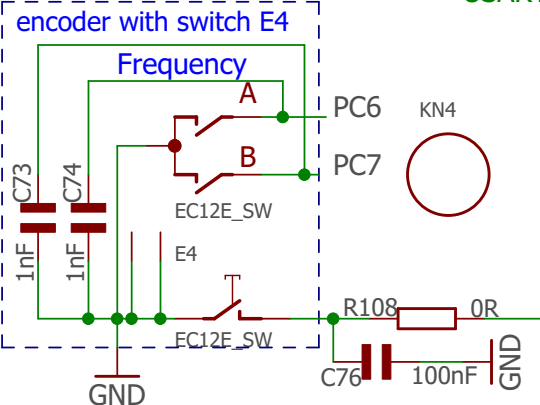
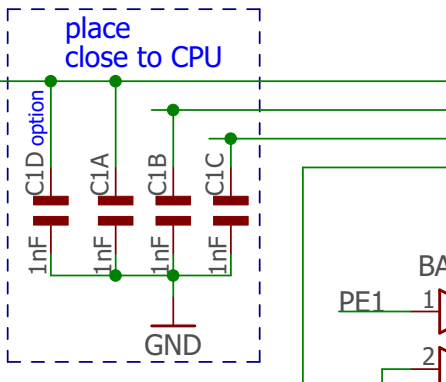
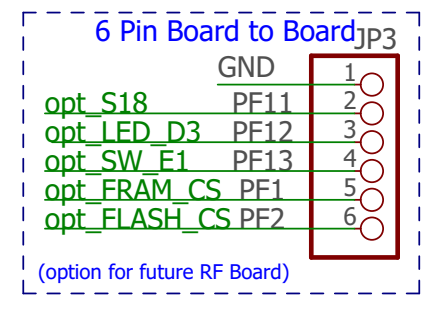
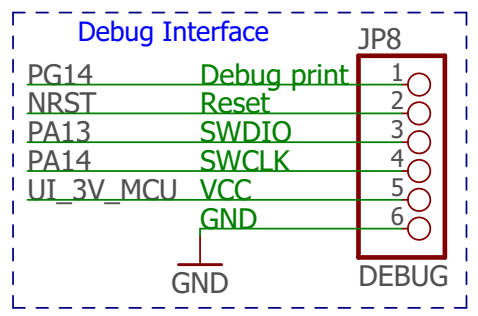
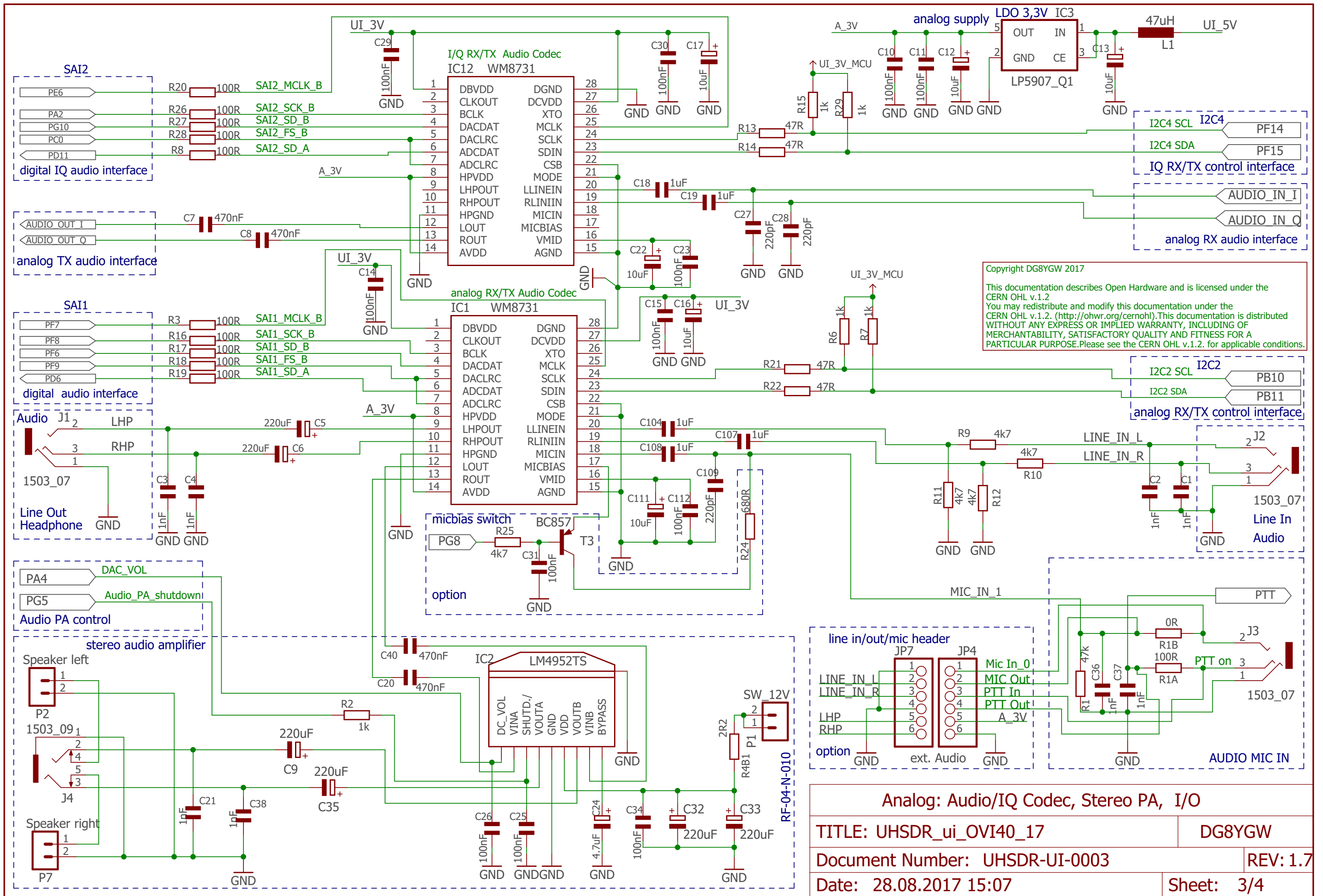


Copyright DG8YGW 2017  
 This documentation describes Open Hardware and is licensed under the CERN OHL v.1.2. You may redistribute and modify this documentation under the CERN OHL v.1.2. (http://ohwr.org/cernohl). This documentation is distributed WITHOUT ANY EXPRESS OR IMPLIED WARRANTY, INCLUDING OF MERCHANTABILITY, SATISFACTORY QUALITY AND FITNESS FOR A PARTICULAR PURPOSE. Please see the CERN OHL v.1.2. for applicable conditions



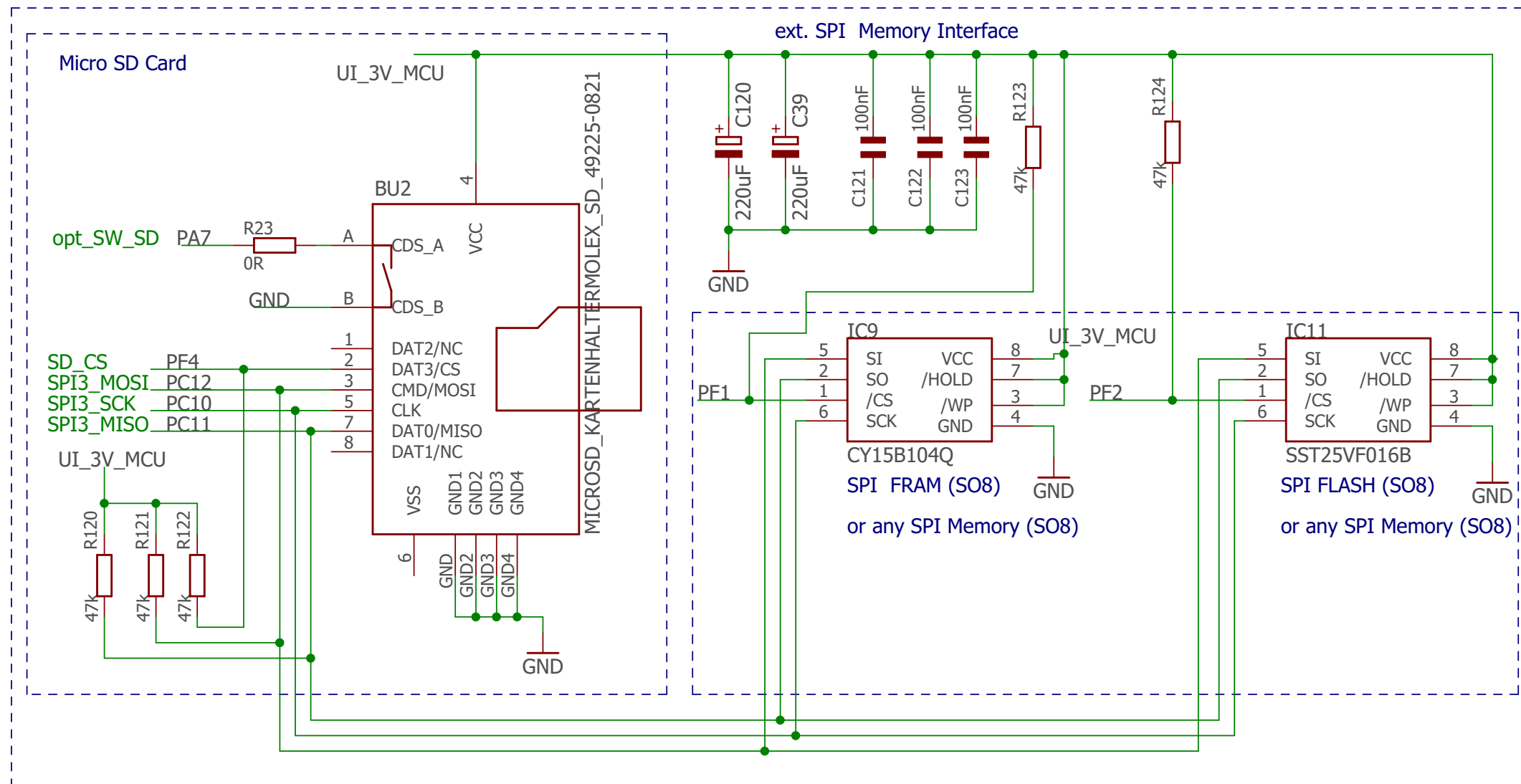
I/O (Taster, Drehencoder, LCD, LED, RTC)

TITLE: UHSDR_ui_OVI40_17		DG8YGW
Document Number: UHSDR-UI-0002	REV:1.7	
Date: 28.08.2017 15:07	Sheet: 2/4	



Copyright DG8YGW 2017  
 This documentation describes Open Hardware and is licensed under the CERN OHL v.1.2. You may redistribute and modify this documentation under the CERN OHL v.1.2. (<http://ohwr.org/cernohl>). This documentation is distributed WITHOUT ANY EXPRESS OR IMPLIED WARRANTY, INCLUDING OF MERCHANTABILITY, SATISFACTORY QUALITY AND FITNESS FOR A PARTICULAR PURPOSE. Please see the CERN OHL v.1.2. for applicable conditions.

<b>Analog: Audio/IQ Codec, Stereo PA, I/O</b>	
TITLE: UHSDR_ui_OVI40_17	DG8YGW
Document Number: UHSDR-UI-0003	REV: 1.7
Date: 28.08.2017 15:07	Sheet: 3/4



Copyright DG8YGW 2017  
 This documentation describes Open Hardware and is licensed under the CERN OHL v.1.2. You may redistribute and modify this documentation under the CERN OHL v.1.2. (<http://ohwr.org/cernohl>). This documentation is distributed WITHOUT ANY EXPRESS OR IMPLIED WARRANTY, INCLUDING OF MERCHANTABILITY, SATISFACTORY QUALITY AND FITNESS FOR A PARTICULAR PURPOSE. Please see the CERN OHL v.1.2. for applicable conditions.

Front

<b>Ext Memory: SPI Micro SD-Card, FLASH, FRAM</b>	
TITLE: UHSDR_ui_OVI40_17	DG8YGW
Document Number: UHSDR-UI-0004	REV: 1.7
Date: 28.08.2017 15:07	Sheet: 4/4