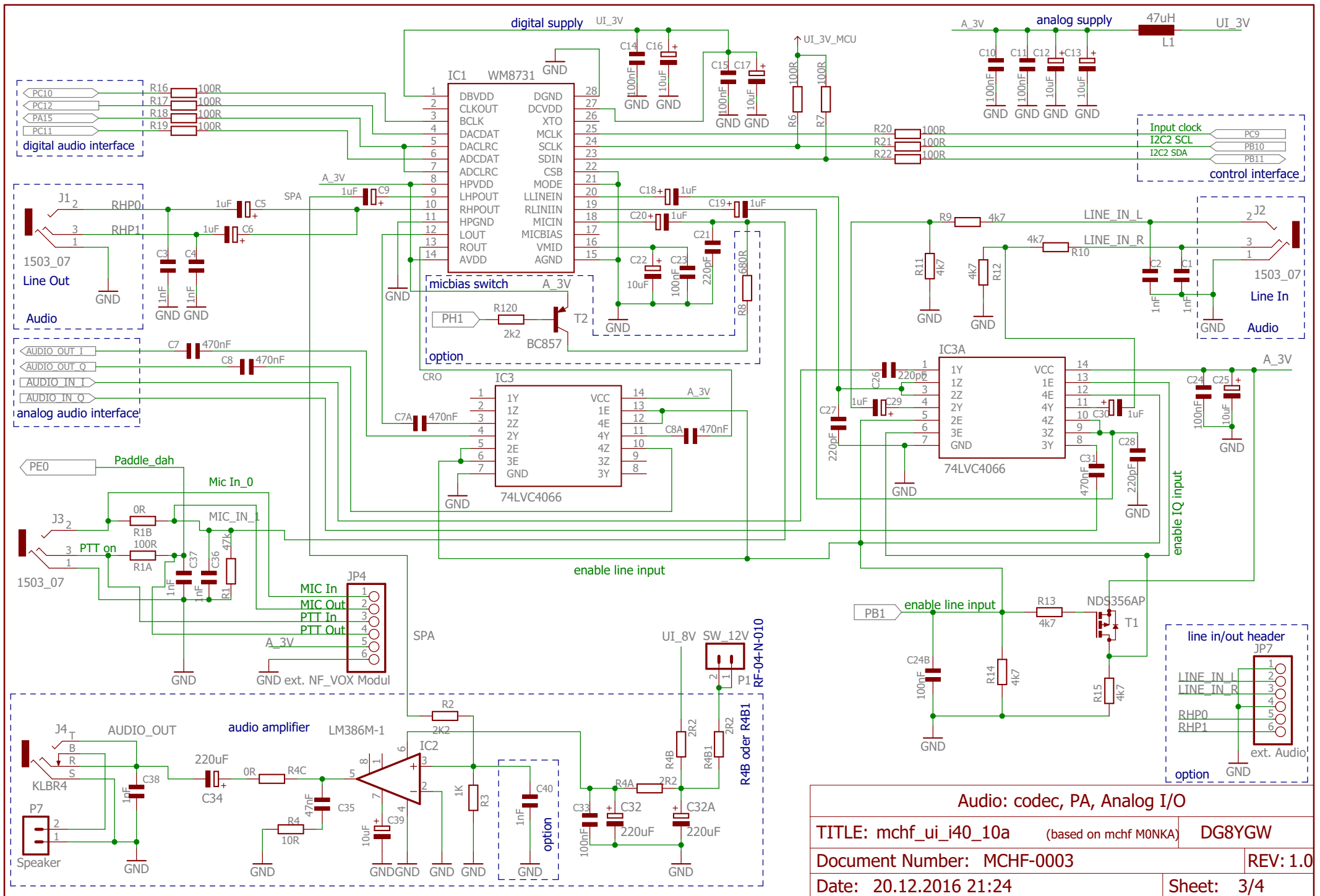




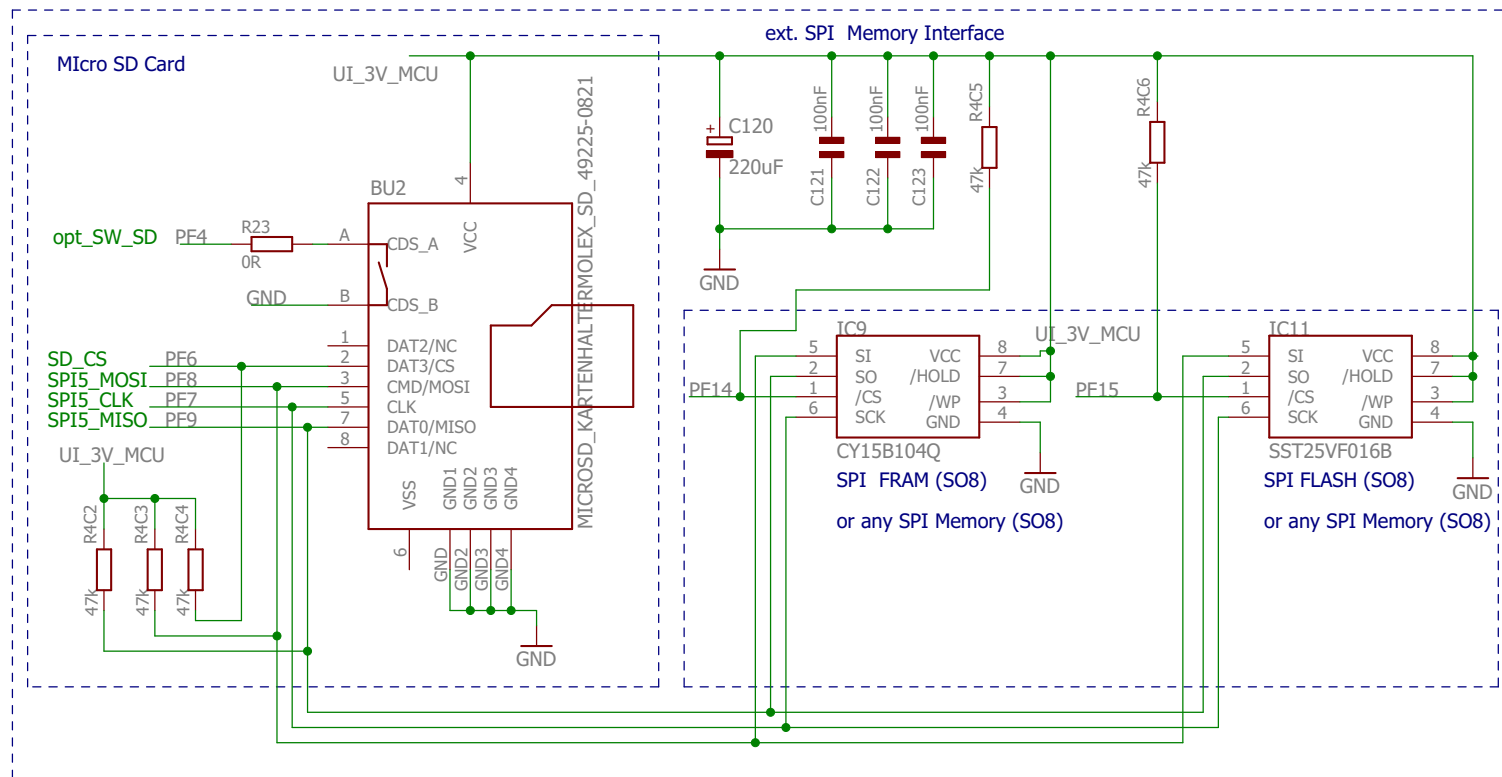
LCD HY32D 3,2 Zoll

320 x 240 Pixel

I40 MCHF MOD



Audio: codec, PA, Analog I/O		
TITLE: mchf_ui_i40_10a	(based on mchf M0NKA)	DG8YGW
Document Number: MCHF-0003		REV: 1.0
Date: 20.12.2016 21:24		Sheet: 3/4



Ext Memory: SPI Micro SD-Card, FLASH, FRAM

TITLE: mchf_ui_i40_10a	(based on mchf M0NKA)	DG8YGW
Document Number: MCHF-0004	REV: 1.0	
Date: 20.12.2016 21:24	Sheet: 4/4	