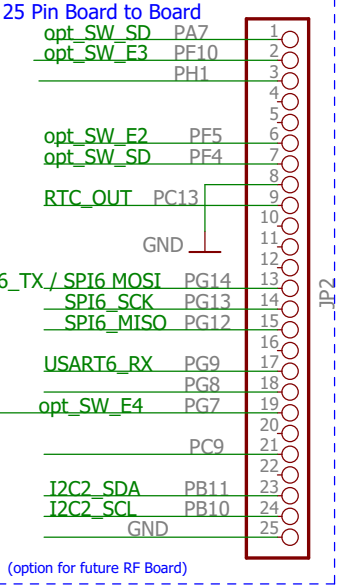
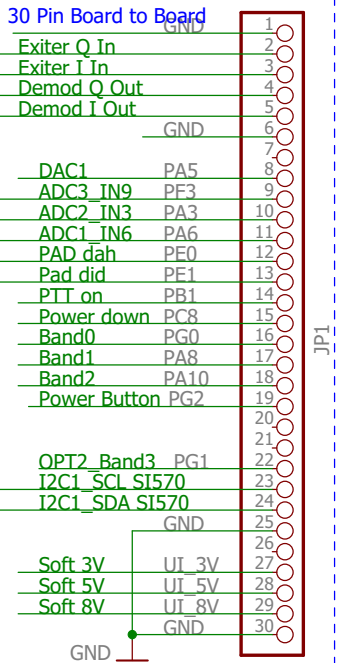
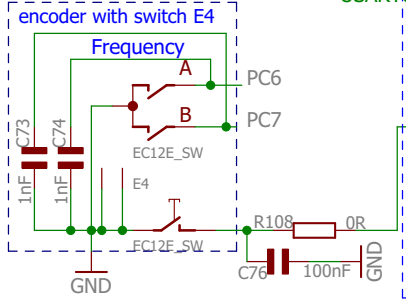
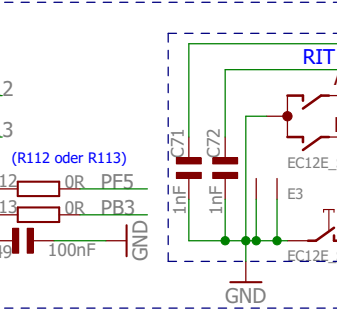
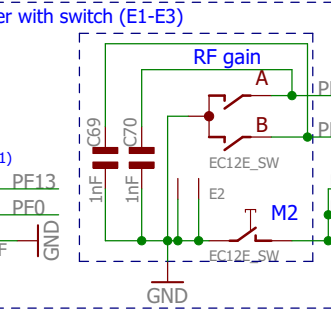
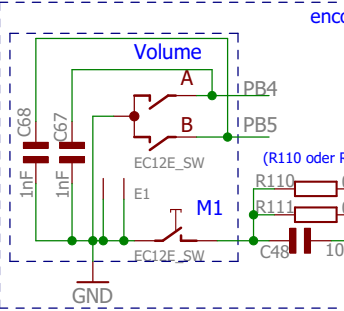
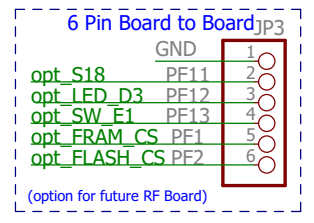
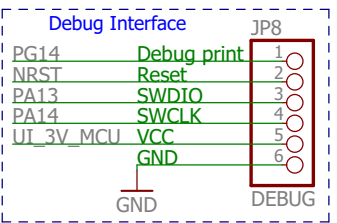
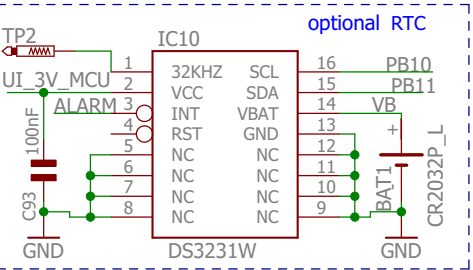
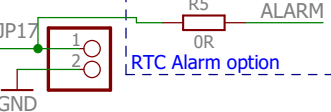
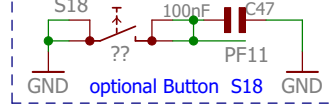
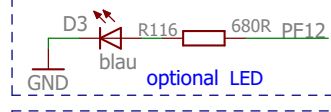
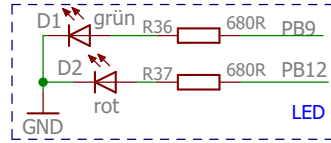
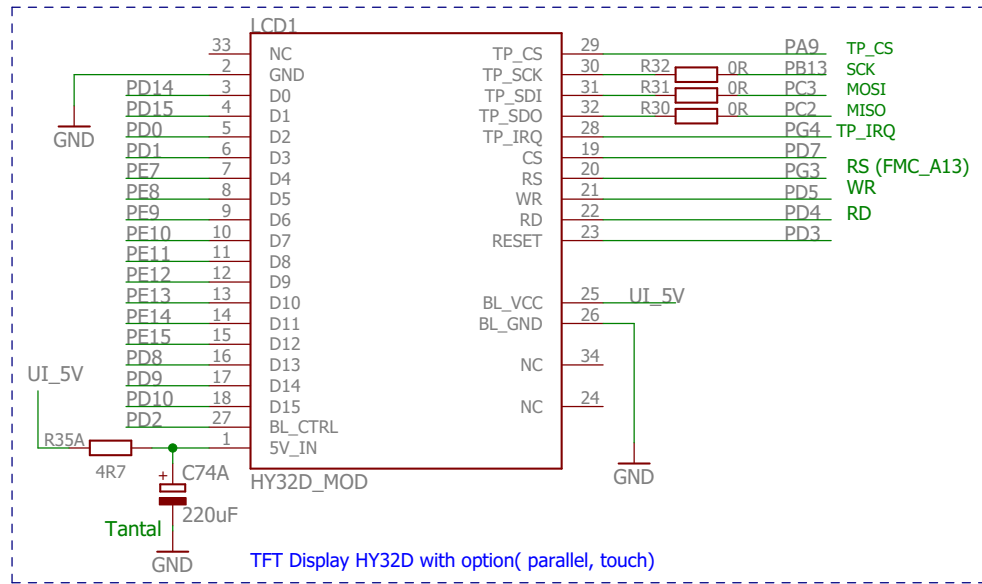
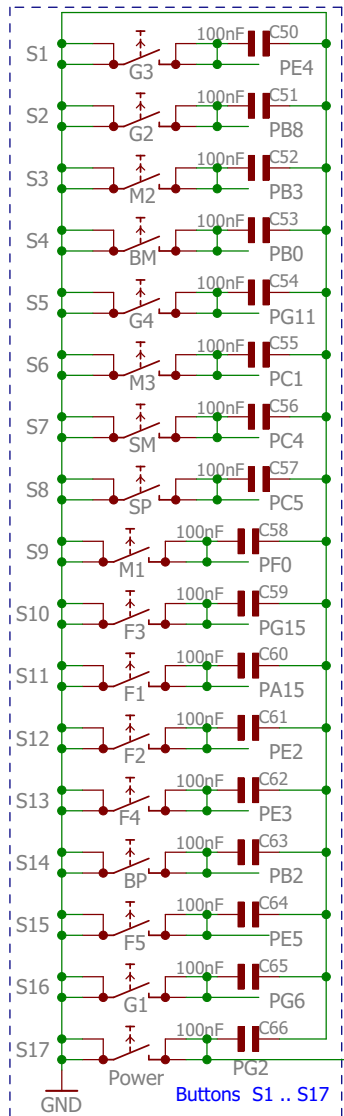
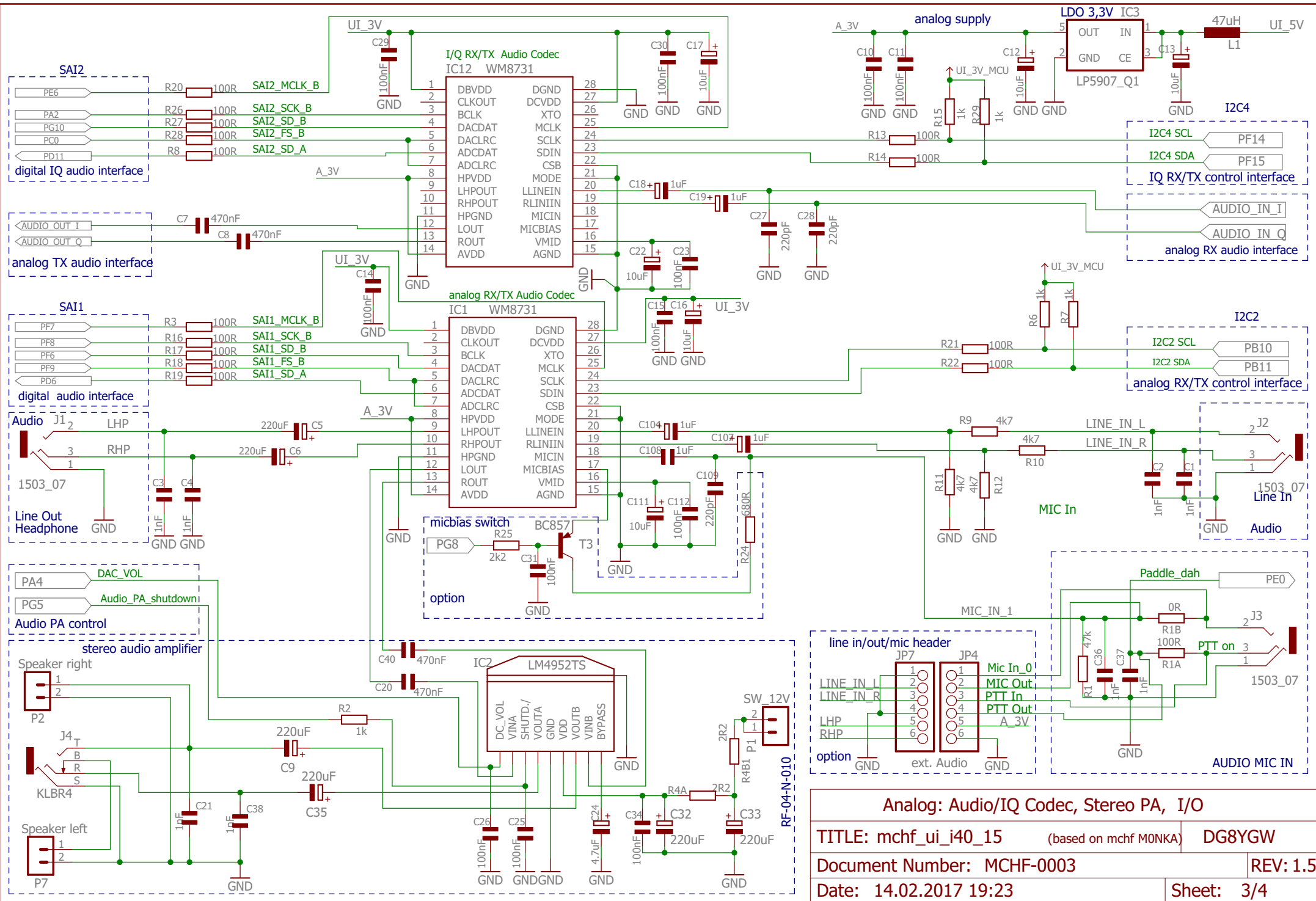


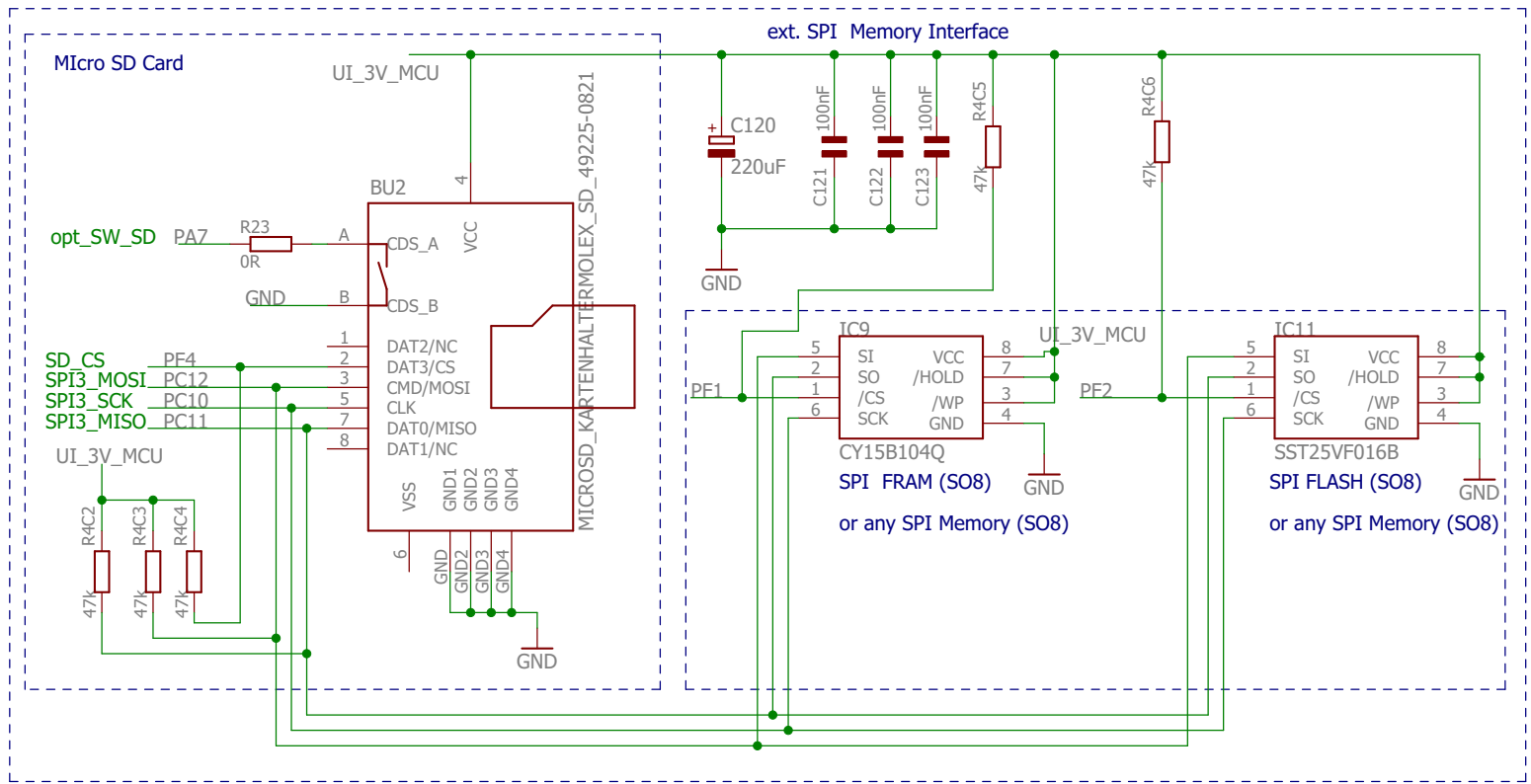
CPU, EEprom, Power, USB		
TITLE: mchf_ui_i40_15	(based on mchf MONKA)	DG8YGV
Document Number: MCHF-0001		REV: 1.5
Date: 14.02.2017 19:23		Sheet: 1/4



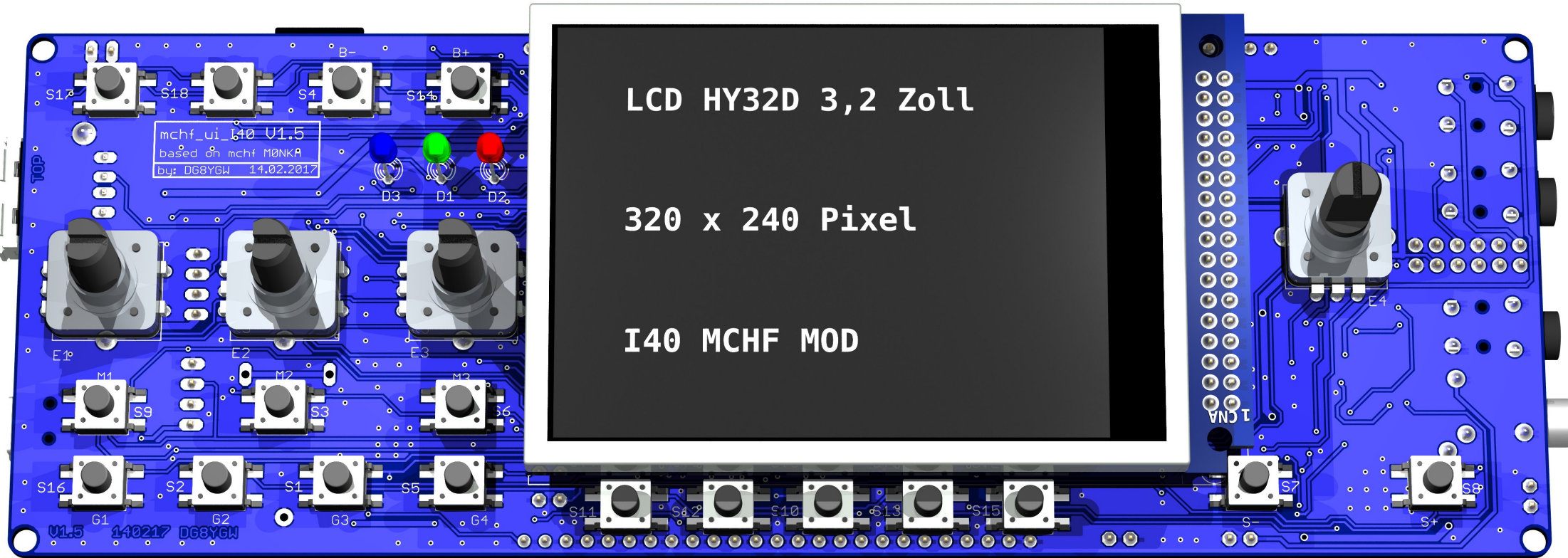
I/O (Taster, Drehencoder, LCD, LED, RTC)		
TITLE: mchf_ui_i40_15 (based on mchf MONKA)		DG8YGV
Document Number: MCHF-0002	REV:1.5	
Date: 14.02.2017 19:23	Sheet: 2/4	



Analog: Audio/IQ Codec, Stereo PA, I/O		
TITLE: mchf_ui_i40_15	(based on mchf MONKA)	DG8YGW
Document Number: MCHF-0003		REV: 1.5
Date: 14.02.2017 19:23		Sheet: 3/4



Ext Memory: SPI Micro SD-Card, FLASH, FRAM		
TITLE: mchf_ui_i40_15	(based on mchf MONKA)	DG8YGW
Document Number: MCHF-0004		REV: 1.5
Date: 14.02.2017 19:23		Sheet: 4/4



LCD HY32D 3,2 Zoll

320 x 240 Pixel

I40 MCHF MOD

mchf_ui_i40 V1.5
based on mchf M0NKA
by: DG8YGW 14.02.2017

V1.5 140217 DG8YGW

