

LCD HY32D 3,2 Zoll

320 x 240 Pixel

I40 MCHF MOD

mchf_ui_I40 V0.2a
based on mchf M0NKA
by: DG8YGW 03.12.2016

D3

D1

D2

S17

S18

S4

S14

B-

B+

Power

E1

E2

E3

M1

M2

M3

S9

S3

S6

S16

S2

S1

S5

G1

G2

G3

G4

S11

S12

S10

S13

S15

S7

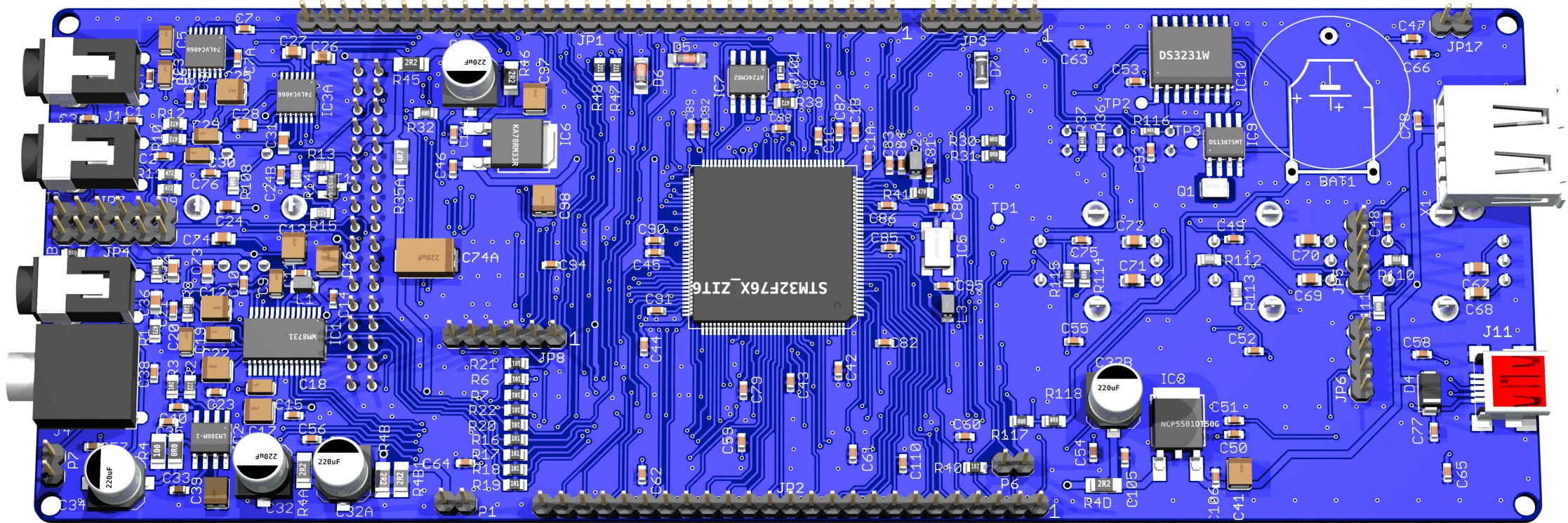
S8

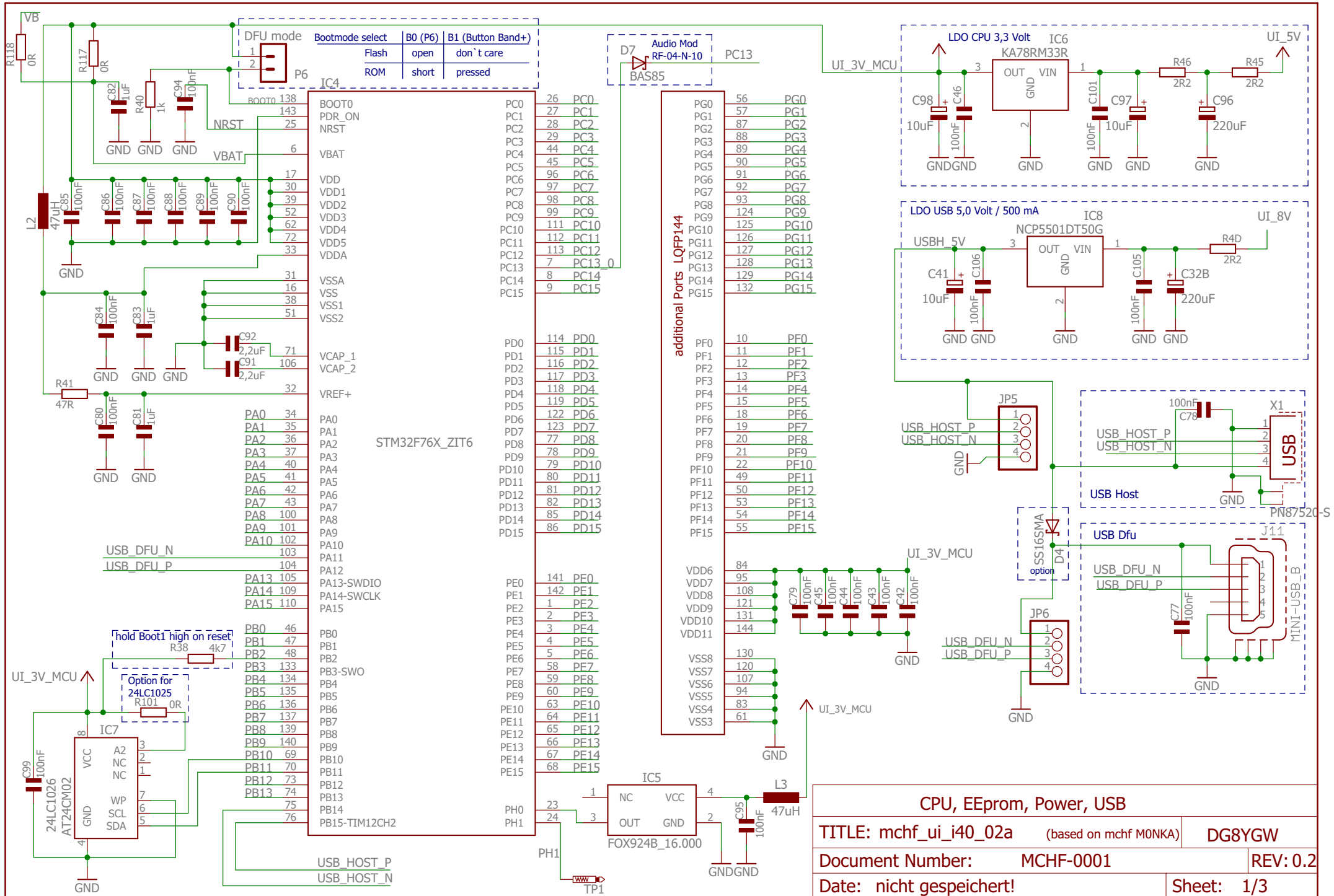
S-

S+

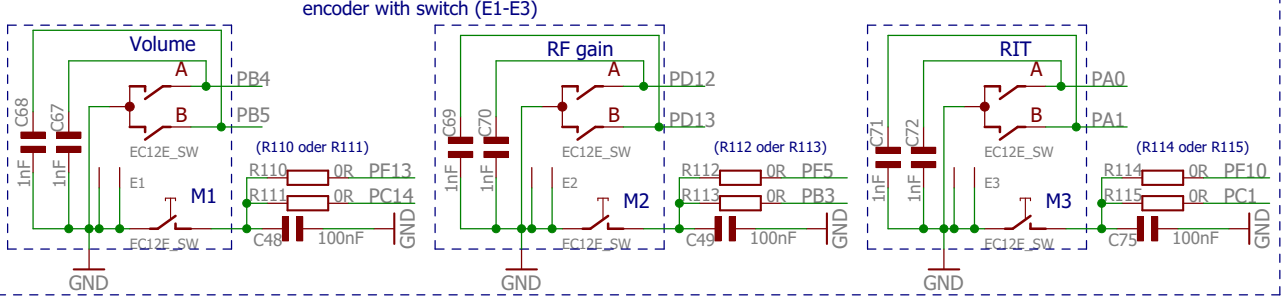
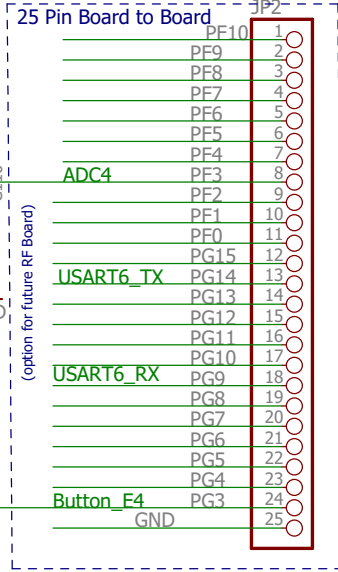
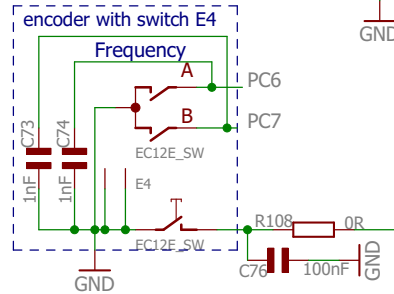
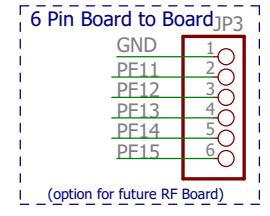
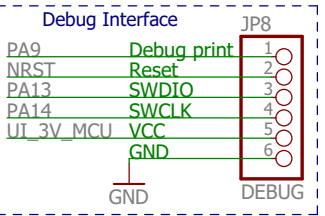
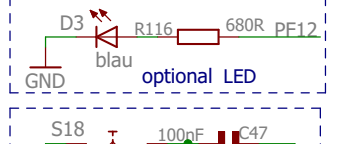
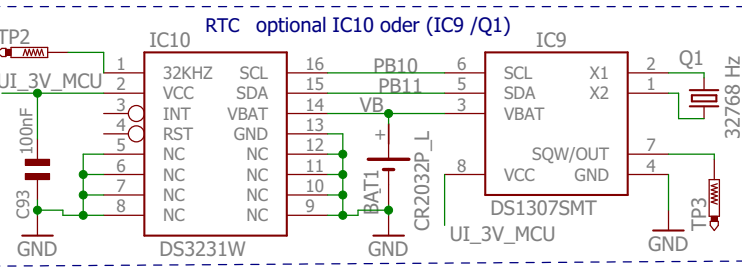
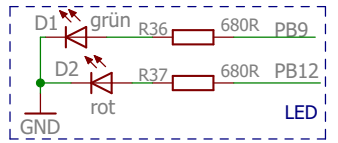
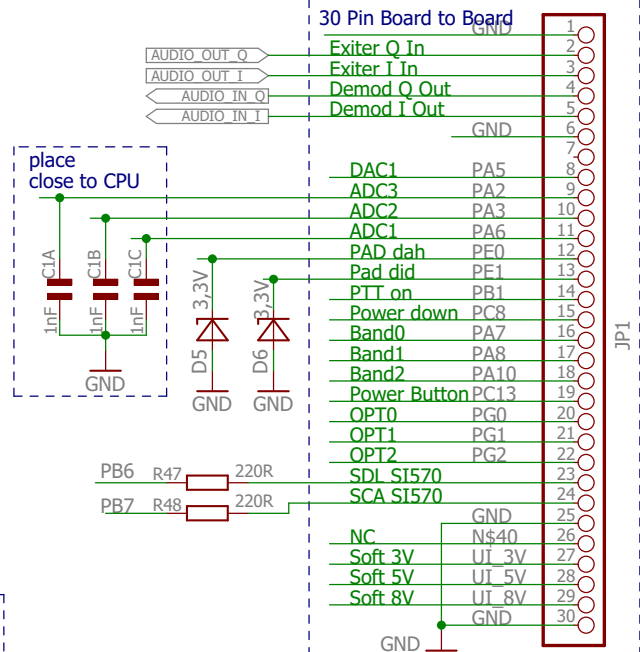
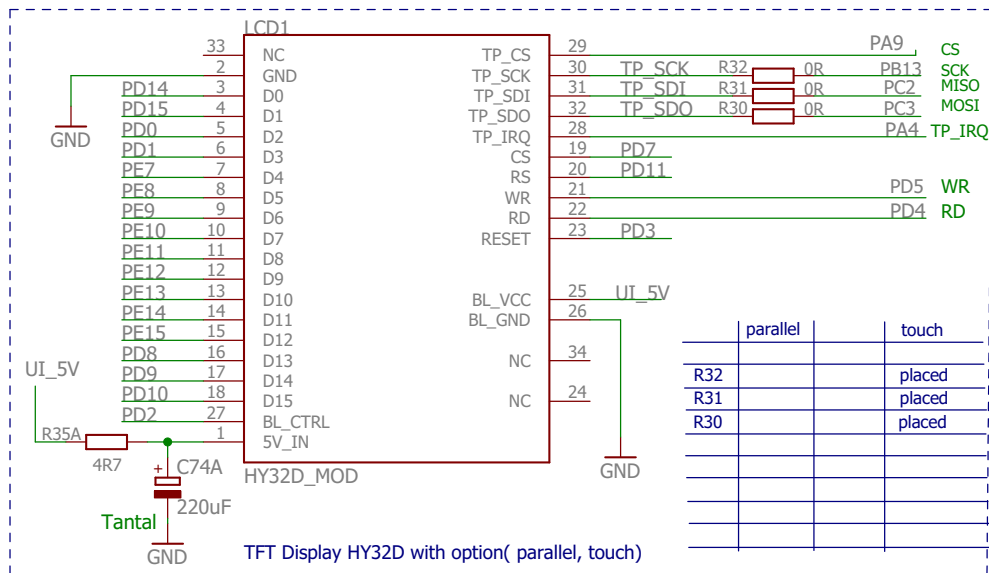
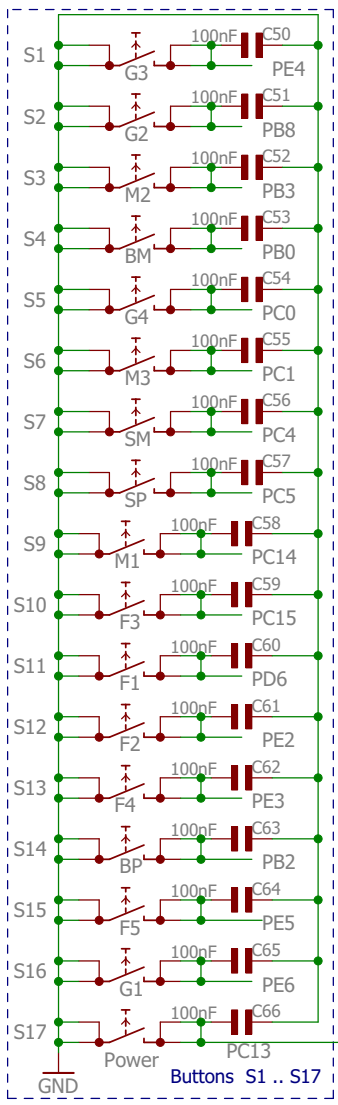
ICNA1

E4

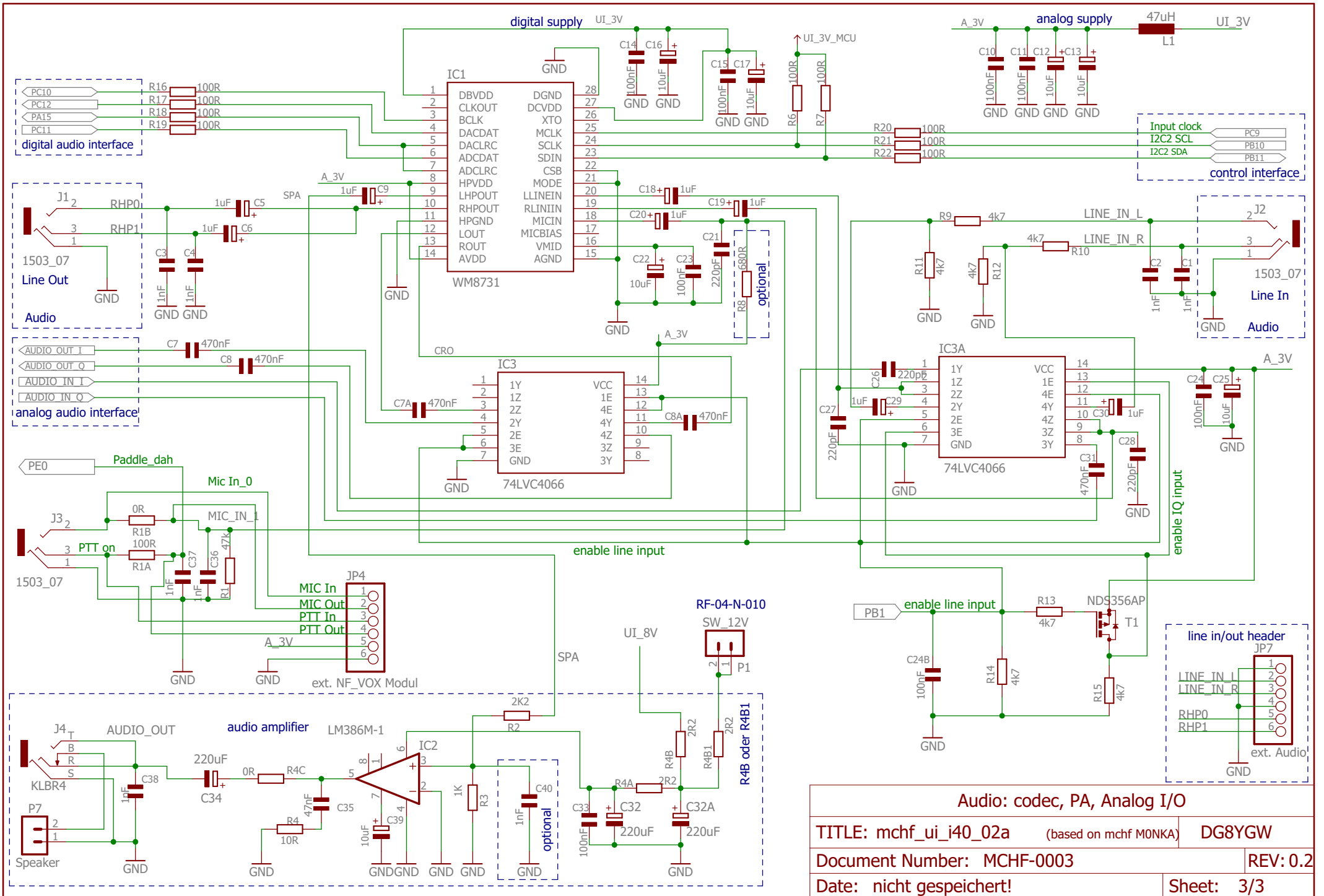




CPU, EEprom, Power, USB		
TITLE: mchf_ui_i40_02a	(based on mchf M0NKA)	DG8YGW
Document Number:	MCHF-0001	REV: 0.2
Date: nicht gespeichert!	Sheet: 1/3	



I/O (Taster, Drehencoder, LCD, LED, RTC)		
TITLE: mchf_ui_i40_02a	(based on mchf MONKA)	DG8YGW
Document Number: MCHF-0002		REV:0.2
Date: nicht gespeichert!		Sheet: 2/3



Audio: codec, PA, Analog I/O		
TITLE: mchf_ui_i40_02a	(based on mchf M0NKA)	DG8YGW
Document Number: MCHF-0003		REV: 0.2
Date: nicht gespeichert!		Sheet: 3/3