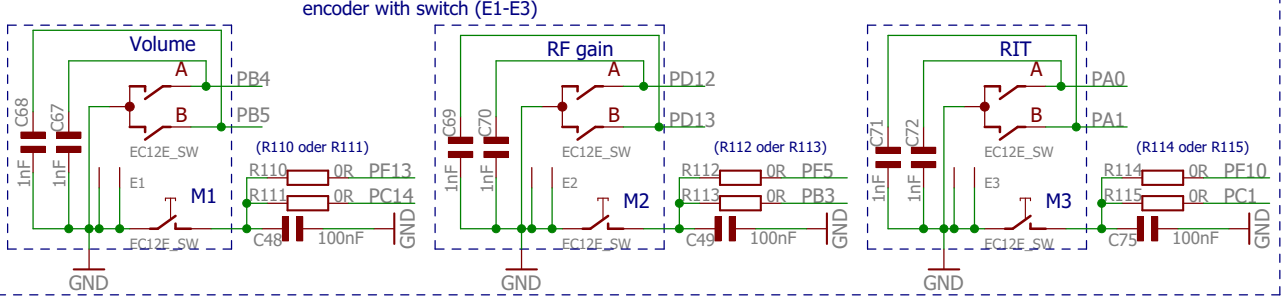
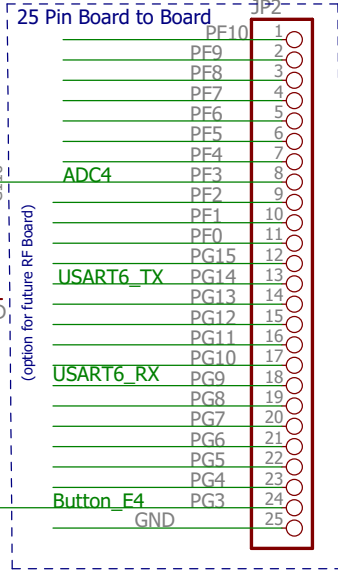
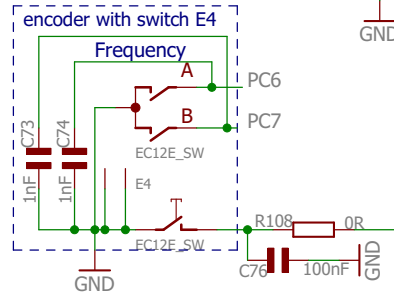
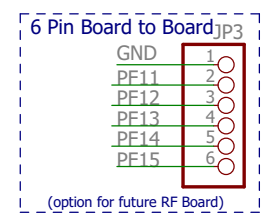
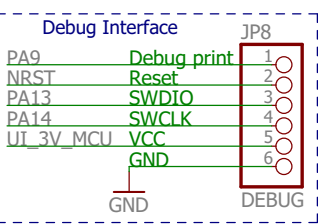
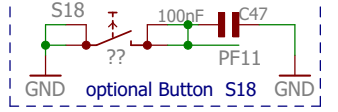
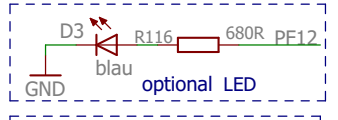
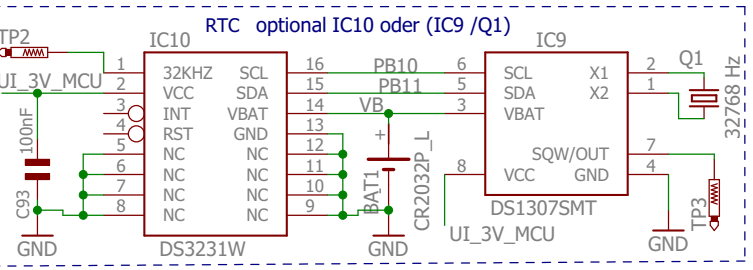
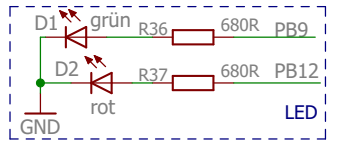
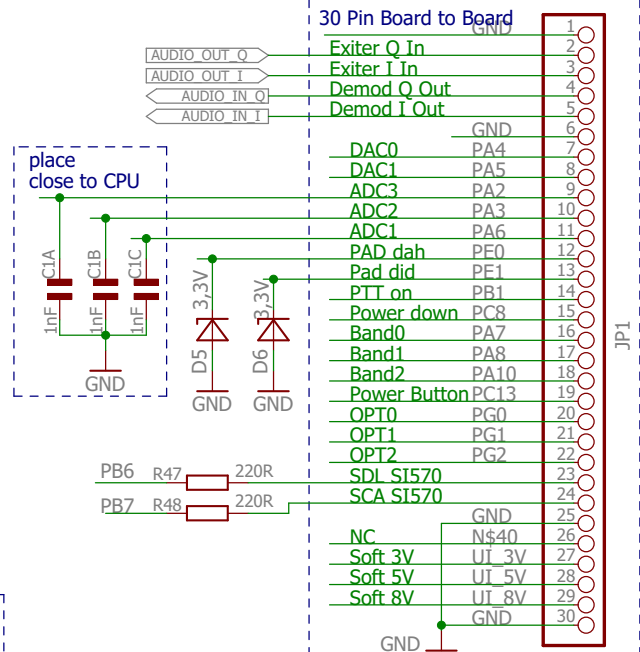
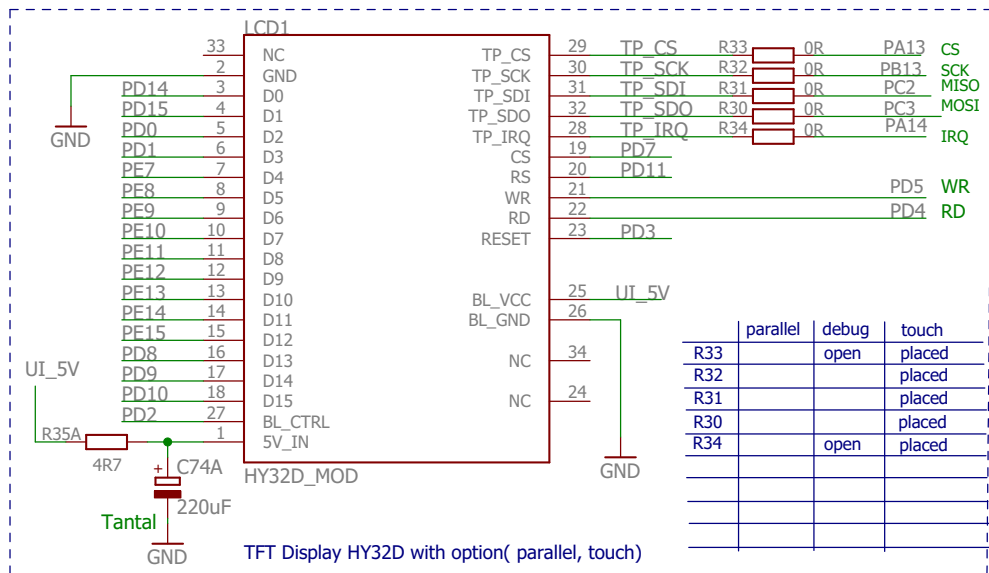
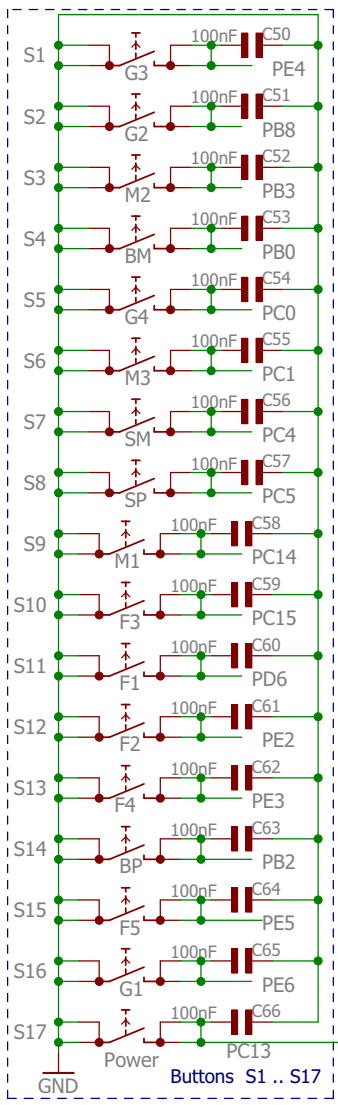
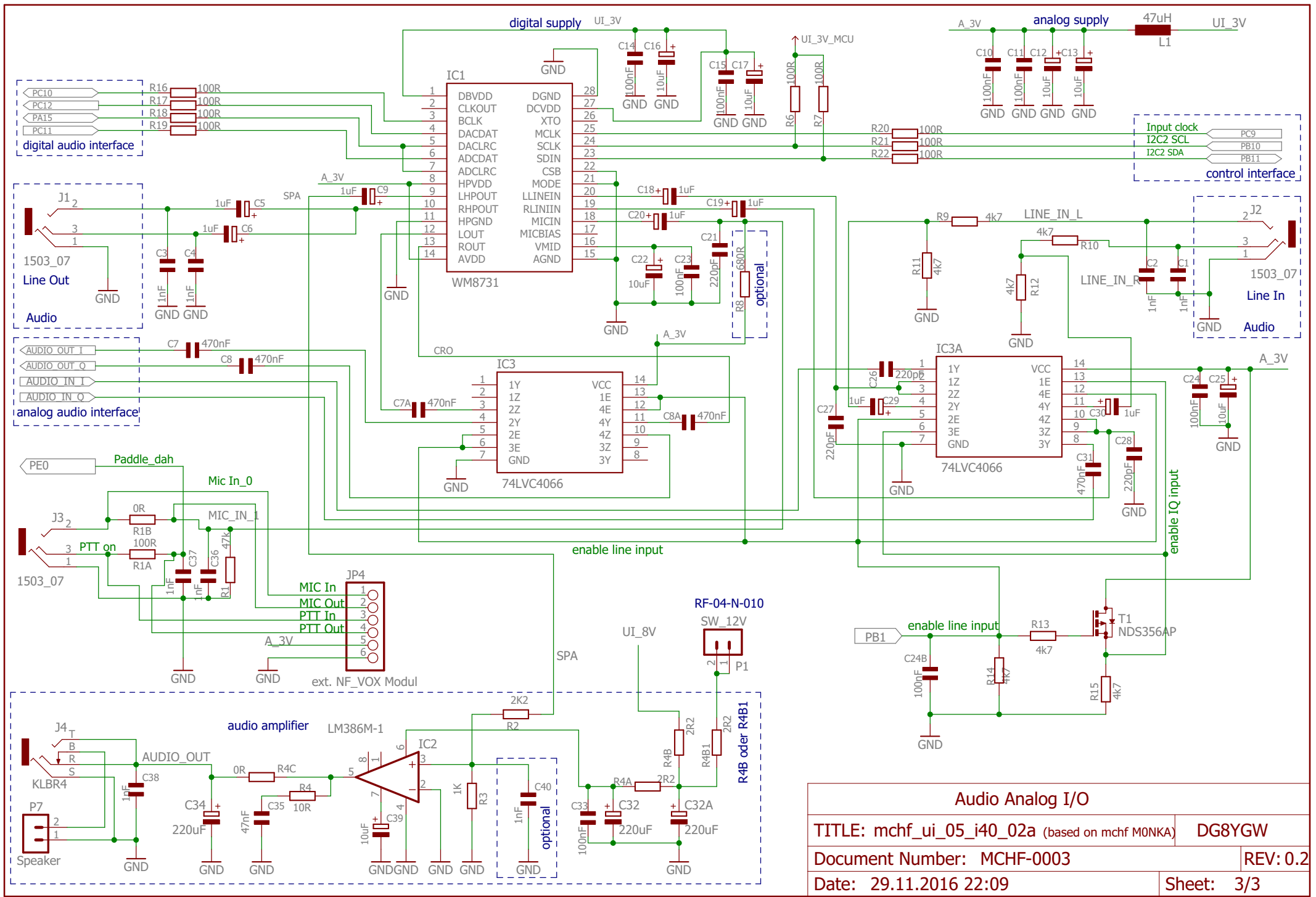


CPU, EEprom, Power, USB

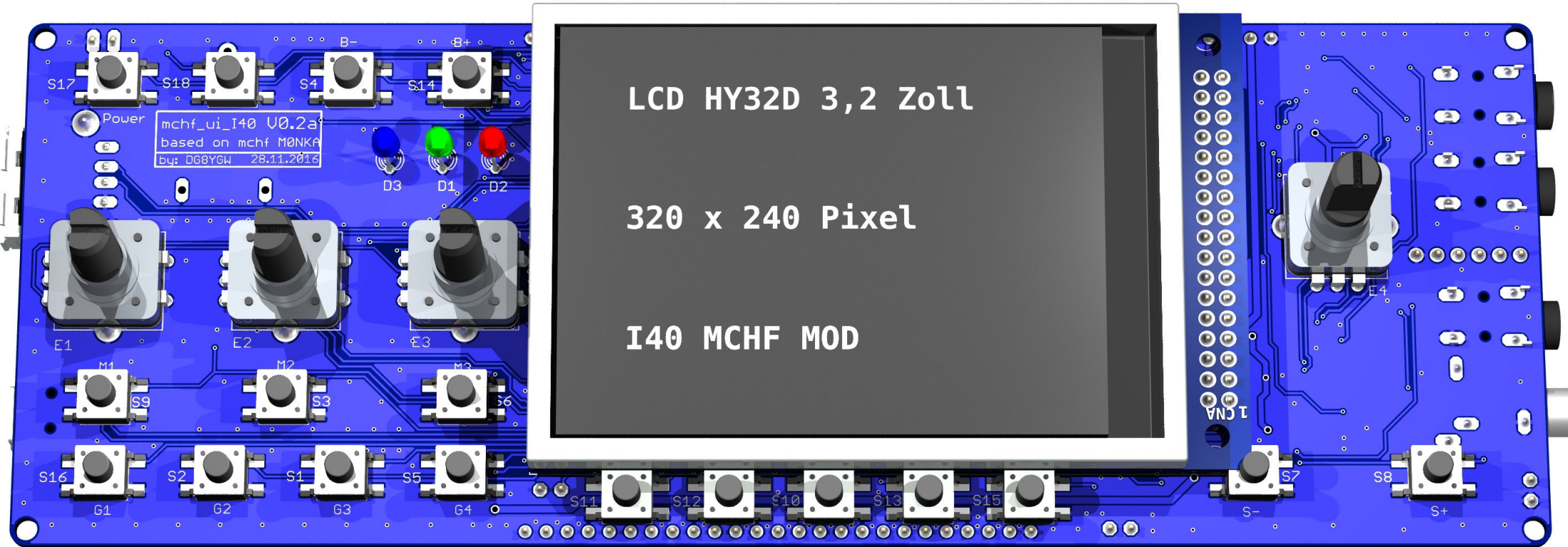
| | | |
|---|------------|----------|
| TITLE: mchf_ui_05_i40_02a (based on mchf M0NKA) | | DG8YGW |
| Document Number: | MCHF-0001 | REV: 0.2 |
| Date: 29.11.2016 22:09 | Sheet: 1/3 | |



| I/O (Taster, Drehencoder, LCD, LED, RTC) | | |
|---|------------|--|
| TITLE: mchf_ui_05_i40_02a (based on mchf MONKA) | DG8YGW | |
| Document Number: MCHF-0002 | REV:0.2 | |
| Date: 29.11.2016 22:09 | Sheet: 2/3 | |



| Audio Analog I/O | | |
|---|------------|--|
| TITLE: mchf_ui_05_i40_02a (based on mchf M0NKA) | DG8YGW | |
| Document Number: MCHF-0003 | REV: 0.2 | |
| Date: 29.11.2016 22:09 | Sheet: 3/3 | |



LCD HY32D 3,2 Zoll

320 x 240 Pixel

I40 MCHF MOD

mchf_ui_I40 V0.2a
based on mchf M0NKA
by: D68YGW 28.11.2013

D3
D1
D2

S17 S18 S4 S14 B- B+

E1 E2 E3

M1 M2 M3
S9 S3 S6

S16 S2 S1 S5 G1 G2 G3 G4 S11 S12 S10 S13 S15

15-pin header
E4
S- S+

