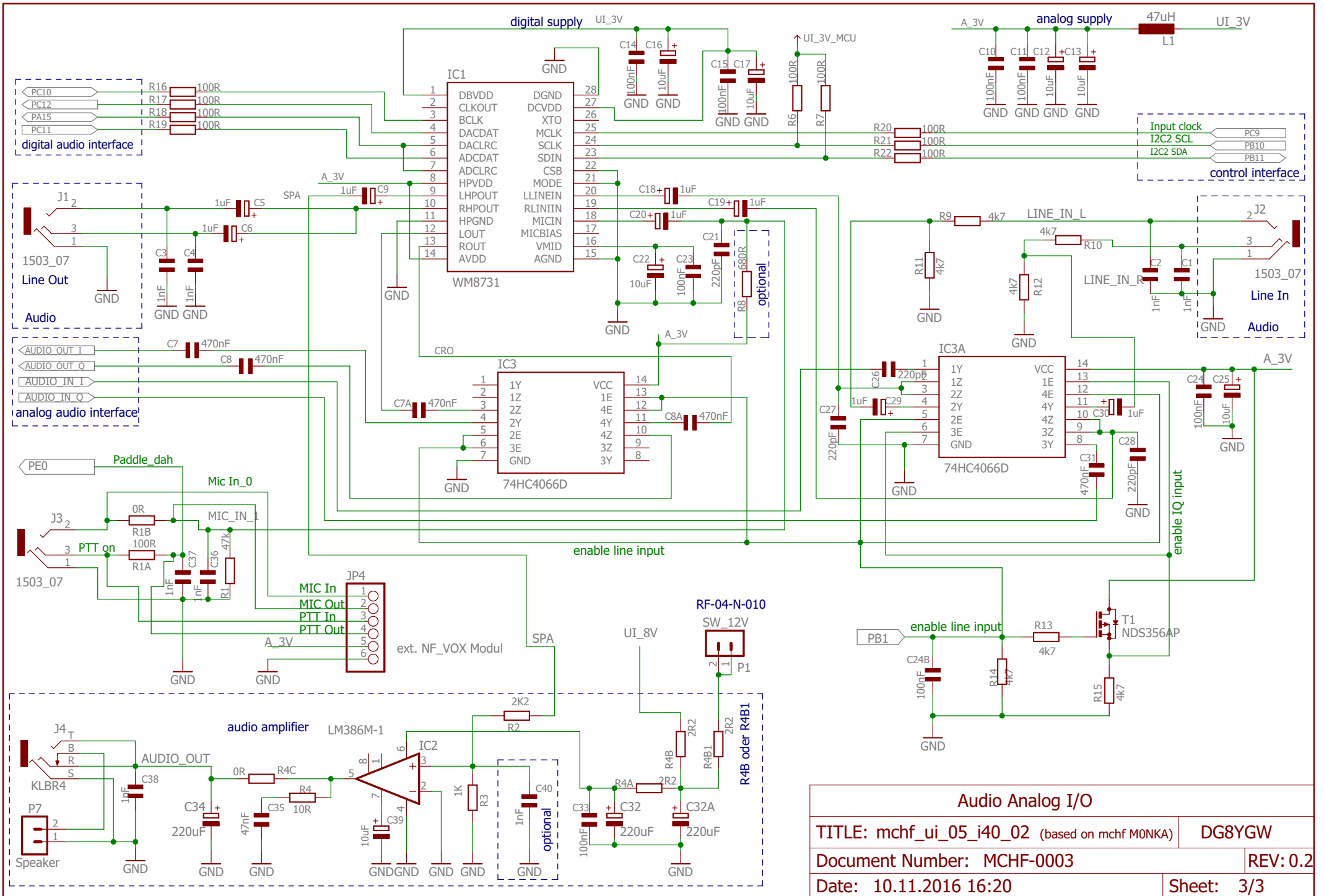


I/O (Taster, Drehencoder, LCD, LED)		
TITLE: mchf_ui_05_i40_02 (based on mchf MONKA)		DG8YGW
Document Number: MCHF-0002	REV:0.2	
Date: 10.11.2016 16:20	Sheet: 2/3	



Audio Analog I/O		
TITLE: mchf_ui_05_i40_02 (based on mchf M0NKA)	DG8YGW	
Document Number: MCHF-0003	REV: 0.2	
Date: 10.11.2016 16:20	Sheet: 3/3	