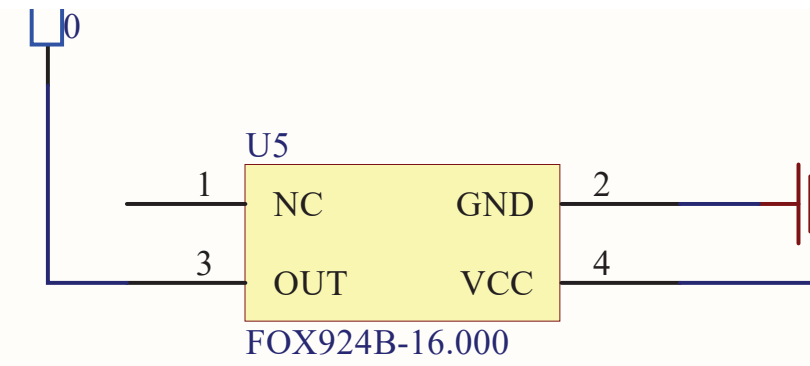
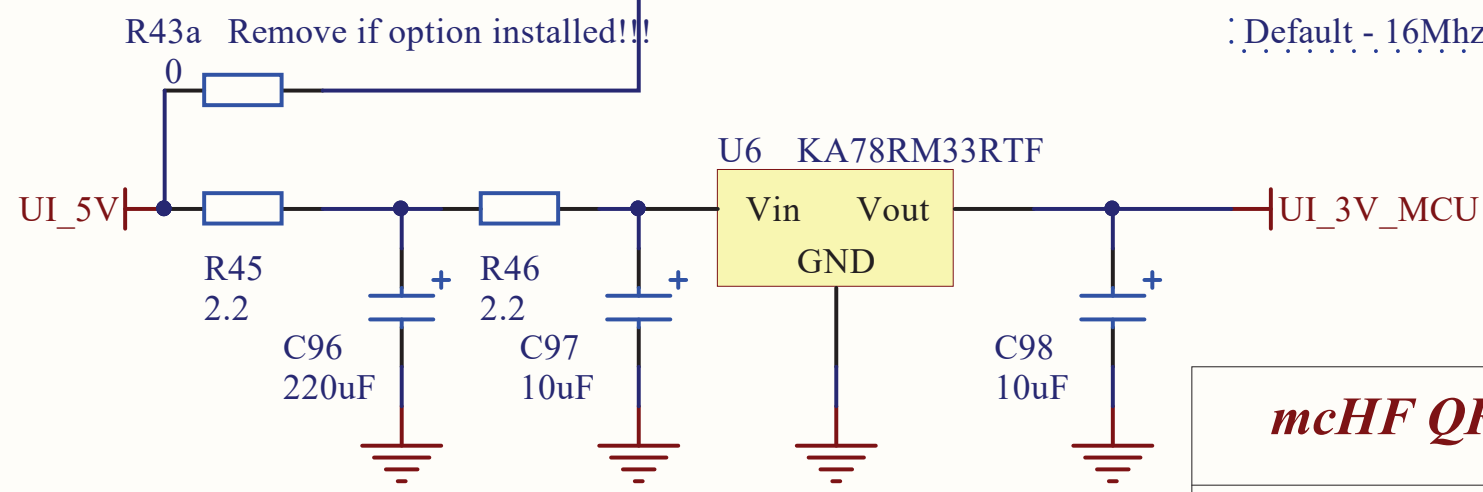


Optional, R43a only by default



Default - 16Mhz TCXO

mcHF QRP Transceiver UI board