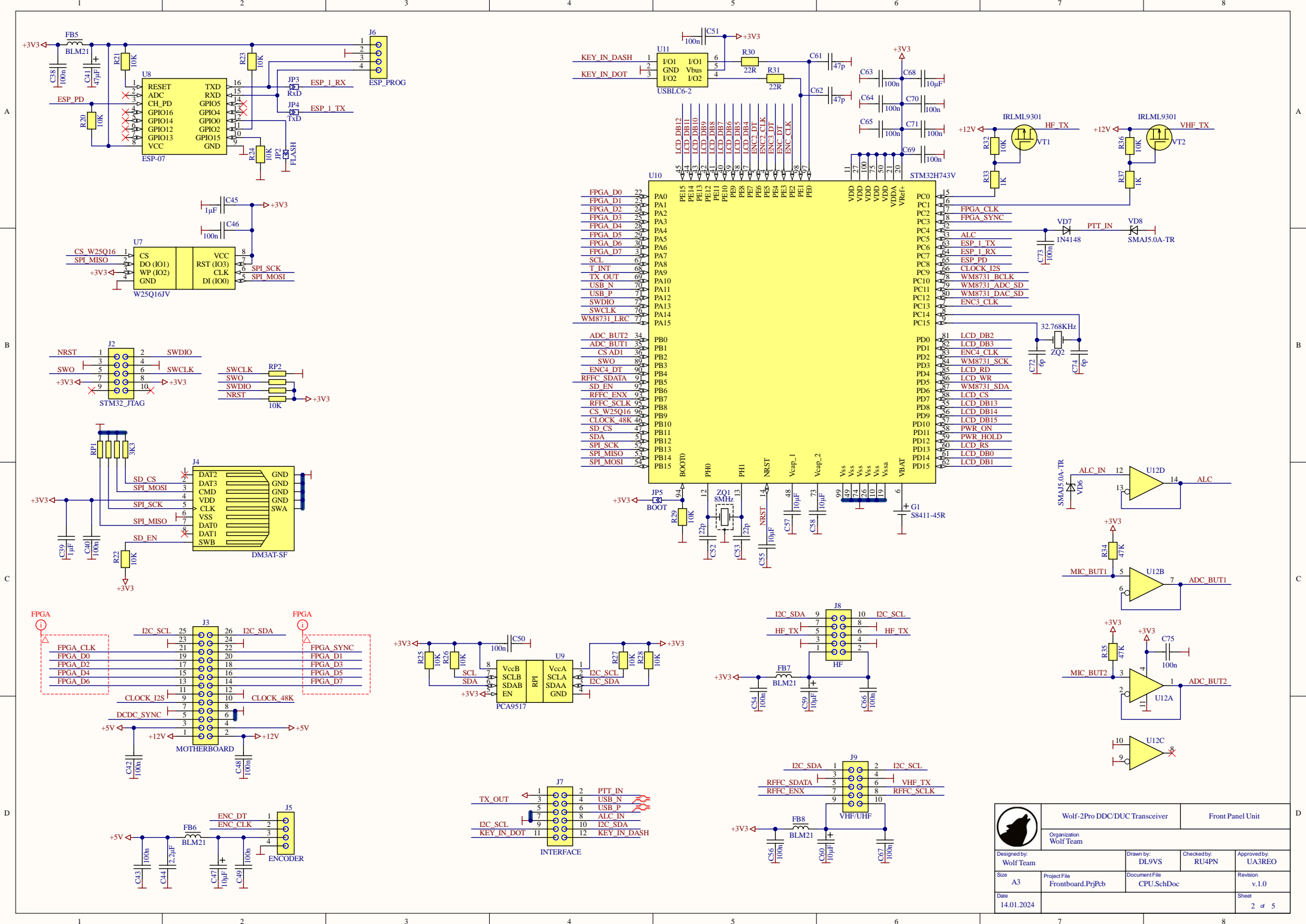

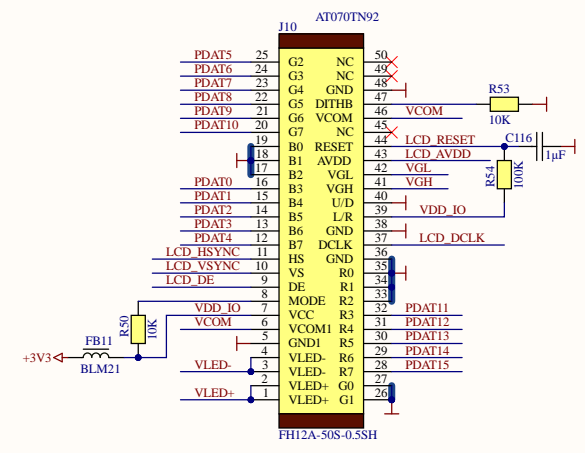
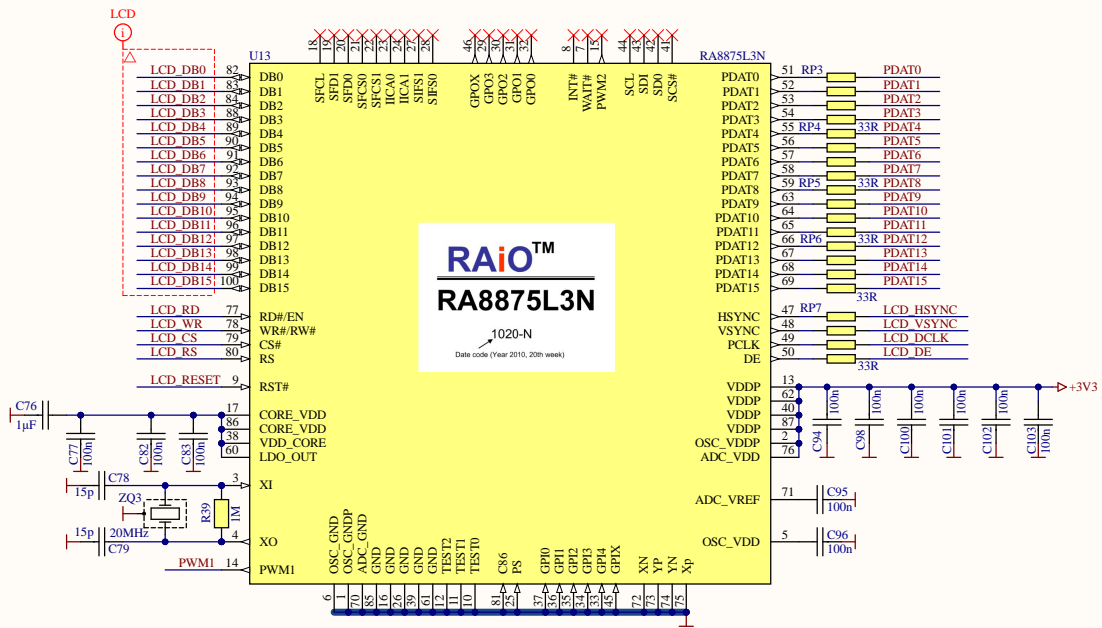
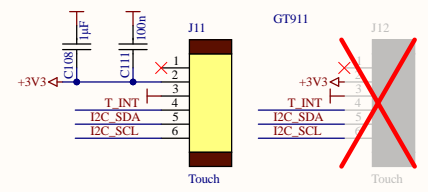
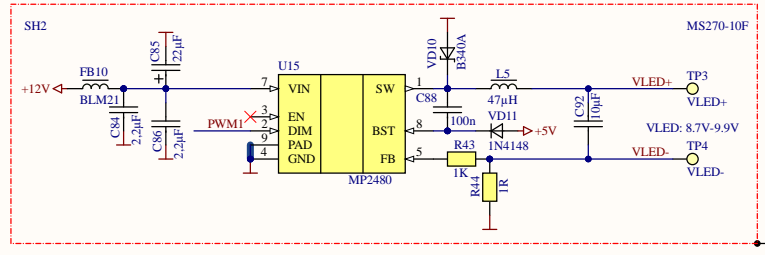
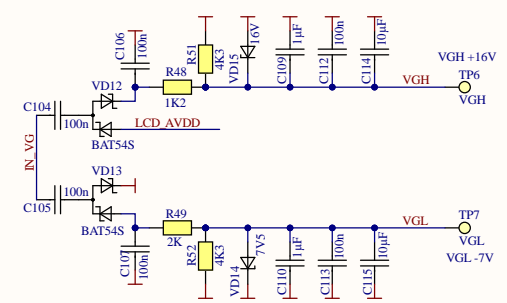
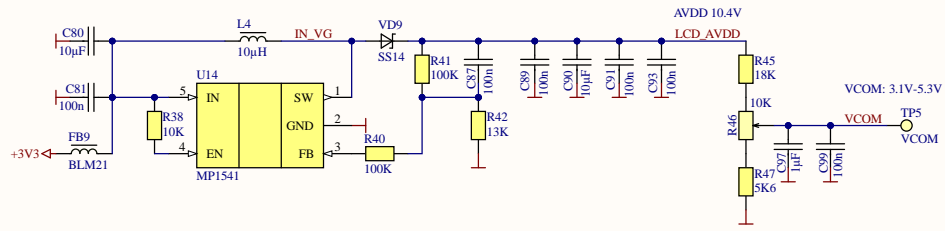


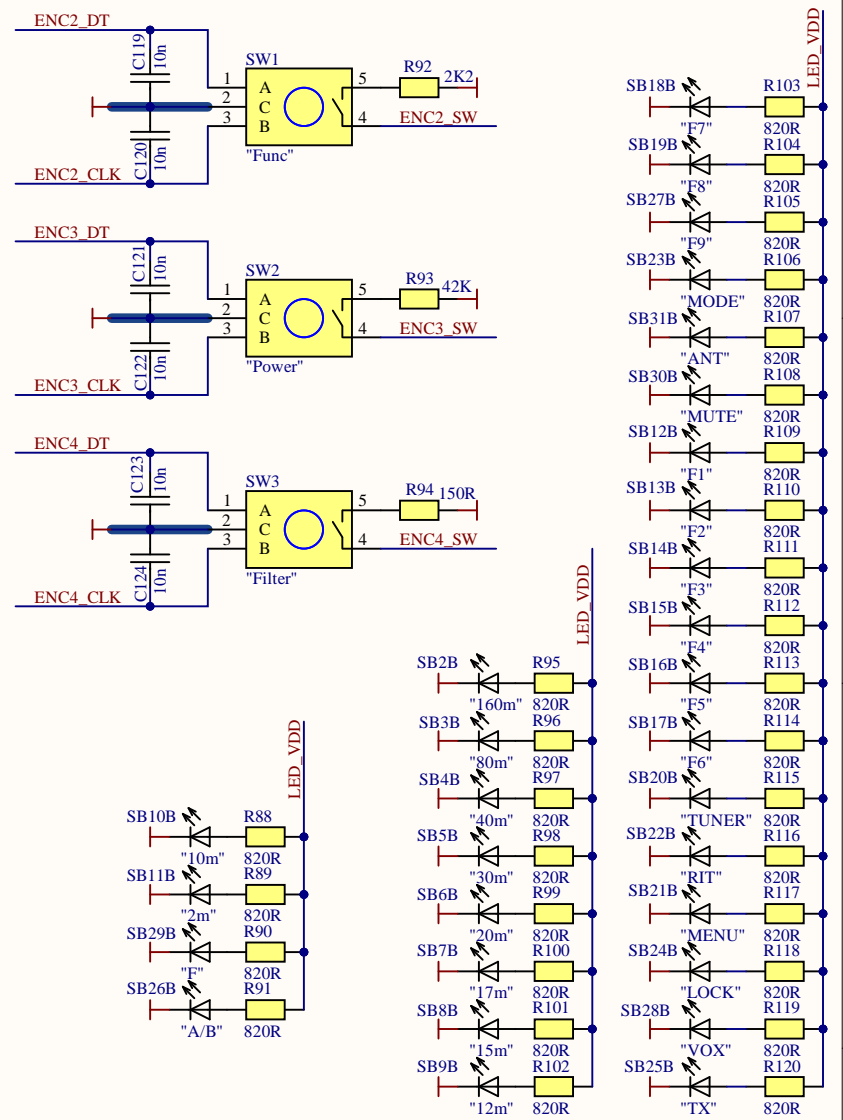
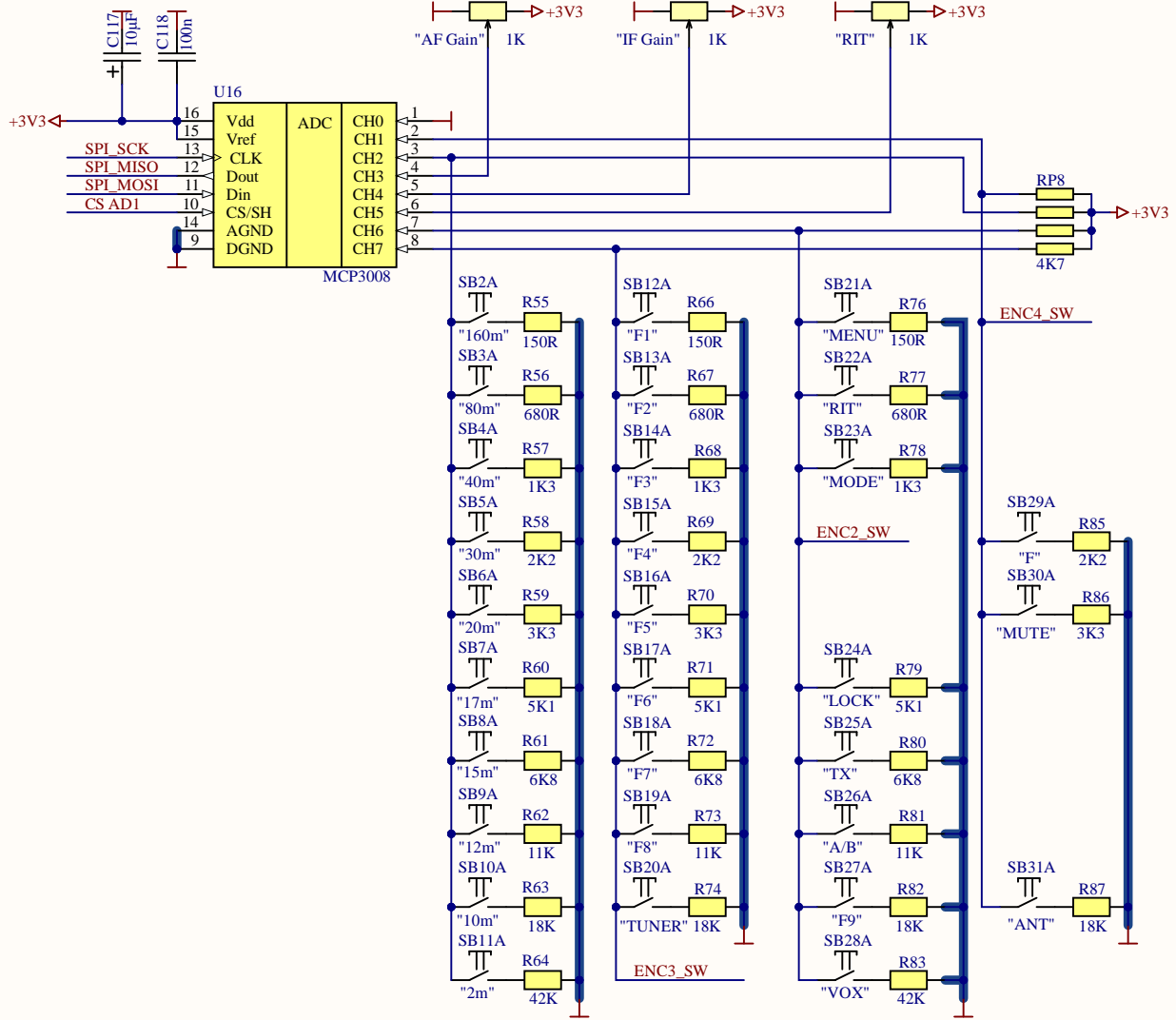
	Wolf-2Pro DDC/DUC Transceiver	Front Panel Unit		
	Organization Wolf Team			
Designed by: Wolf Team	Drawn by: DL9VS	Checked by: RU4PN	Approved by: UA3REO	
Size A4	Project File Frontboard.PrjPeb	Document File Power.SchDoc	Revision v.1.0	
Date 14.01.2024				Sheet 1 of 5



 Wolf-Pro DDC/DUC Transceiver		Front Panel Unit	
Organization: Wolf Team			
Designed by: Wolf Team	Drawn by: DL9VS	Checked by: RU4PN	Approved by: UA3REO
Size: A3	Project File: Frontboard.PriJpcb	Document File: CPU.SchDoc	Revision: v.1.0
Date: 14.01.2024			Sheet: 2 of 5



	Wolf-Pro DDC/DUC Transceiver	Front Panel Unit	
	Organization: Wolf Team		
Designed by: Wolf Team	Drawn by: DL9VS	Checked by: RU4PN	Approved by: UASREO
Size: A3	Project File: Frontboard.PrijPcb	Document File: LCD.SchDoc	Revision: v.1.0
Date: 14.01.2024			Sheet: 3 of 5



	Wolf-2Pro DDC/DUC Transceiver		Front Panel Unit	
	Organization Wolf Team			
Designed by: Wolf Team	Drawn by: DL9VS	Checked by: RU4PN	Approved by: UA3REO	
Size A4	Project File Frontboard.PrjPeb	Document File Keyboard.SchDoc	Revision v.1.0	
Date 14.01.2024				Sheet 4 of 5

A

A

B

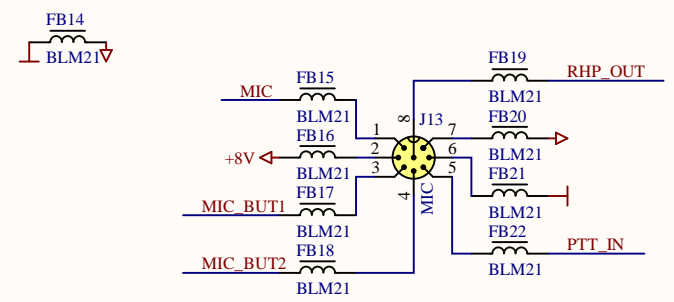
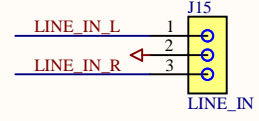
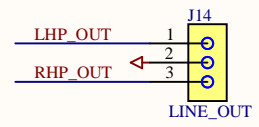
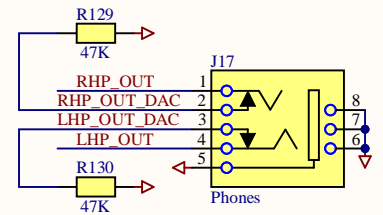
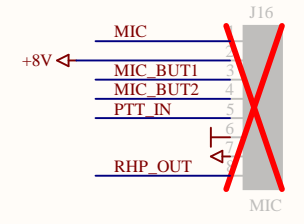
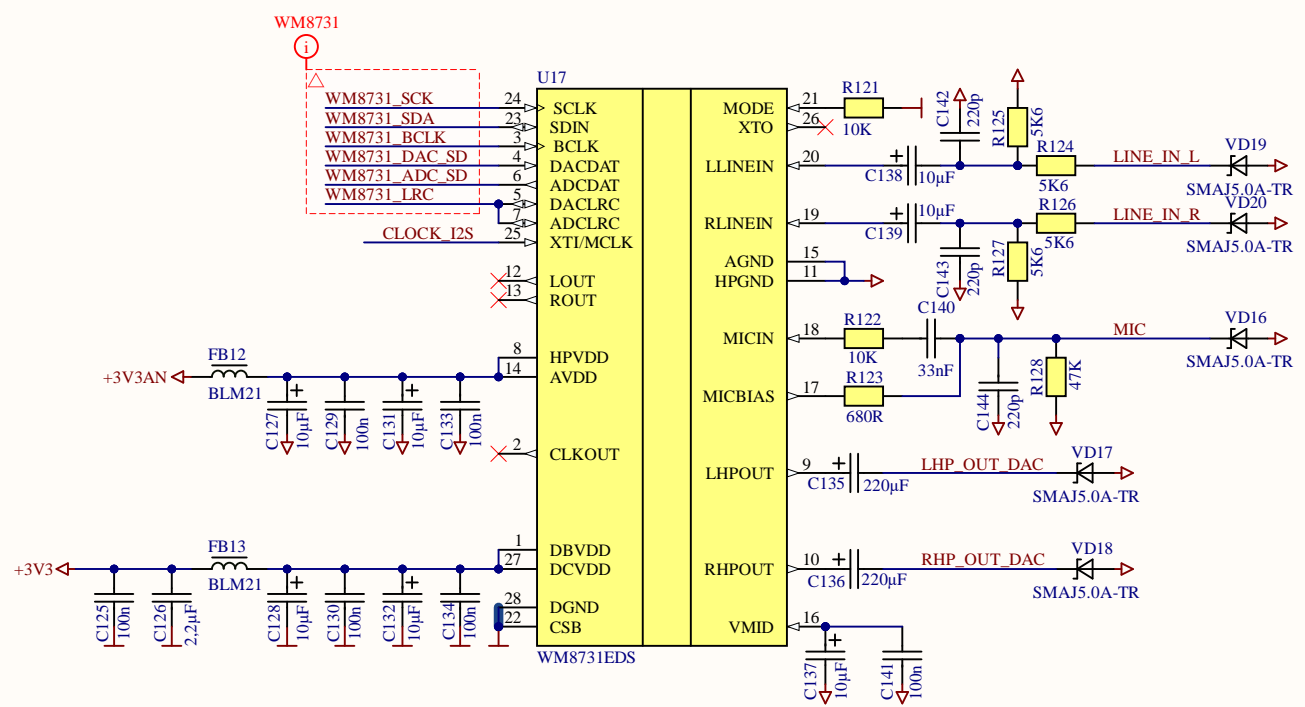
B

C

C

D

D



	Wolf-2Pro DDC/DUC Transceiver		Front Panel Unit	
	Organization Wolf Team			
Designed by: Wolf Team	Drawn by: DL9VS	Checked by: RU4PN	Approved by: UA3REO	
Size A4	Project File Frontboard.PrjPeb	Document File Codec.SchDoc	Revision v.1.0	
Date 14.01.2024				Sheet 5 of 5