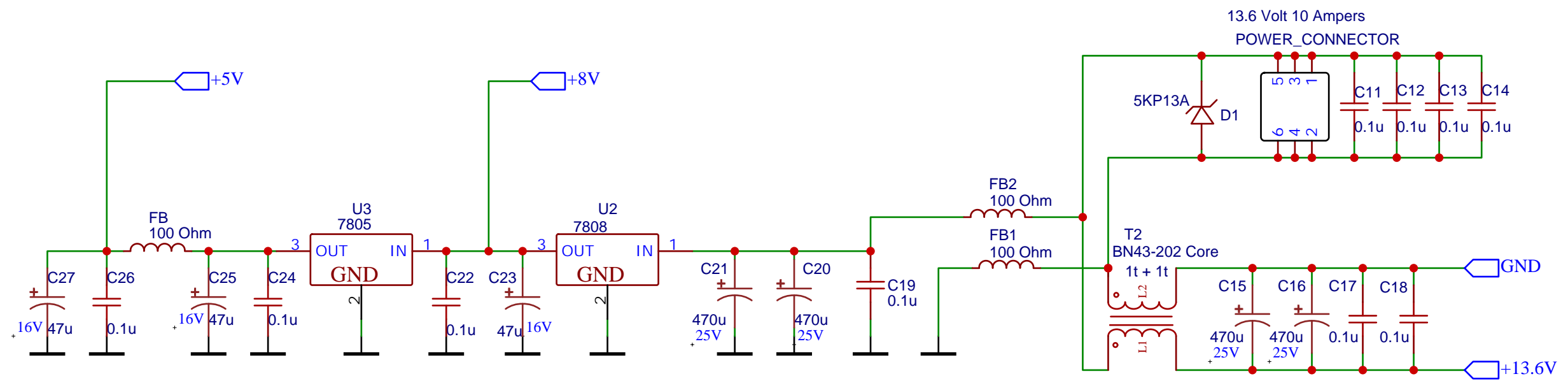


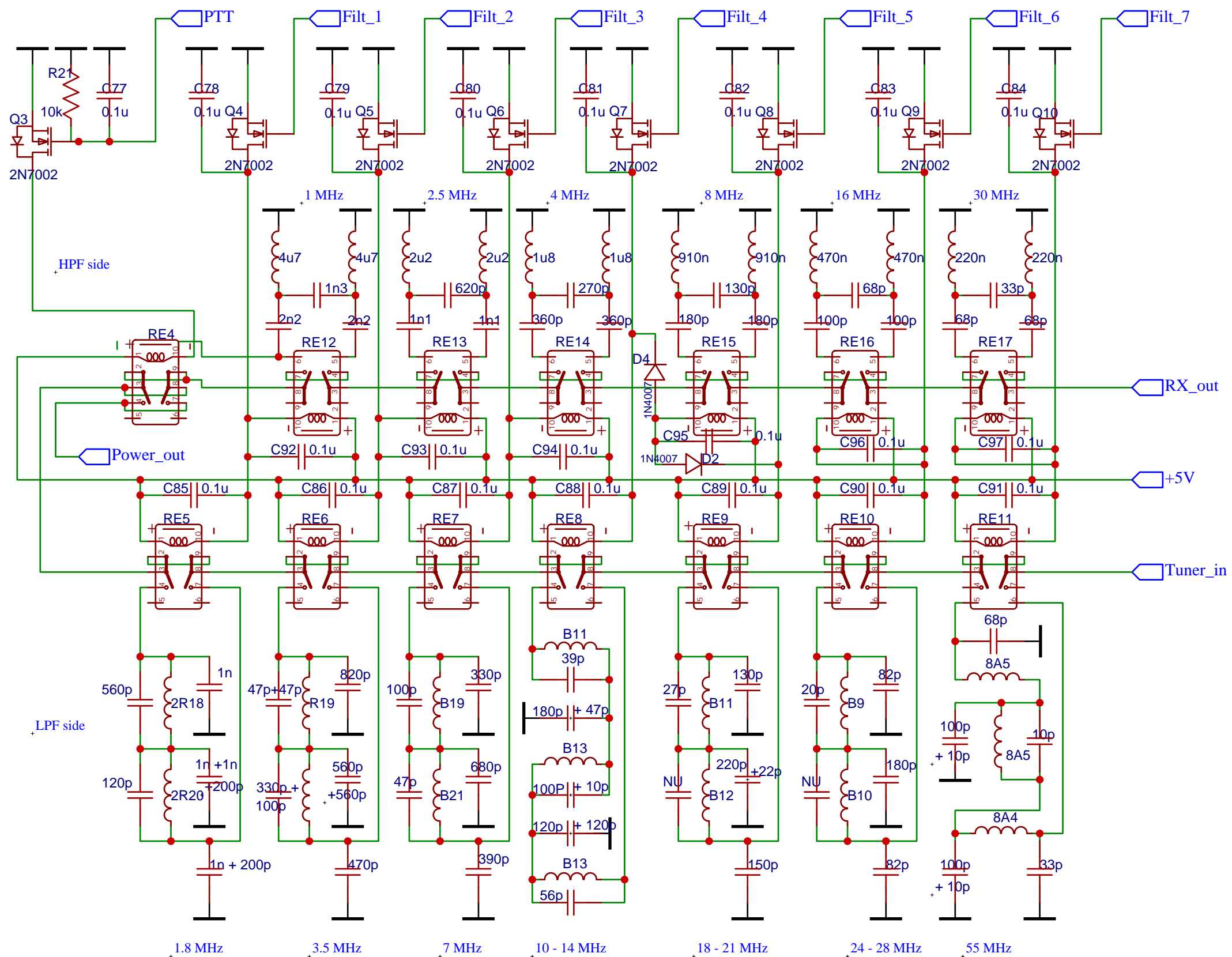
- 1 - ADC1
- 2 - ADC2
- 3 - PTT
- 4 - Tune
- 5 - UO-0
- 6 - UO-1
- 7 - UO-2
- 10 - VNA
- 11 - ANT
- 15 - GND

- ADC_1
- Tune
- ADC_2

TITLE: HFPU-100, Control and Connection		REV: 1.0
Date: 2018-09-03	Sheet: 1/1	
EasyEDA V5.7.26	Drawn By: David Fainitski	

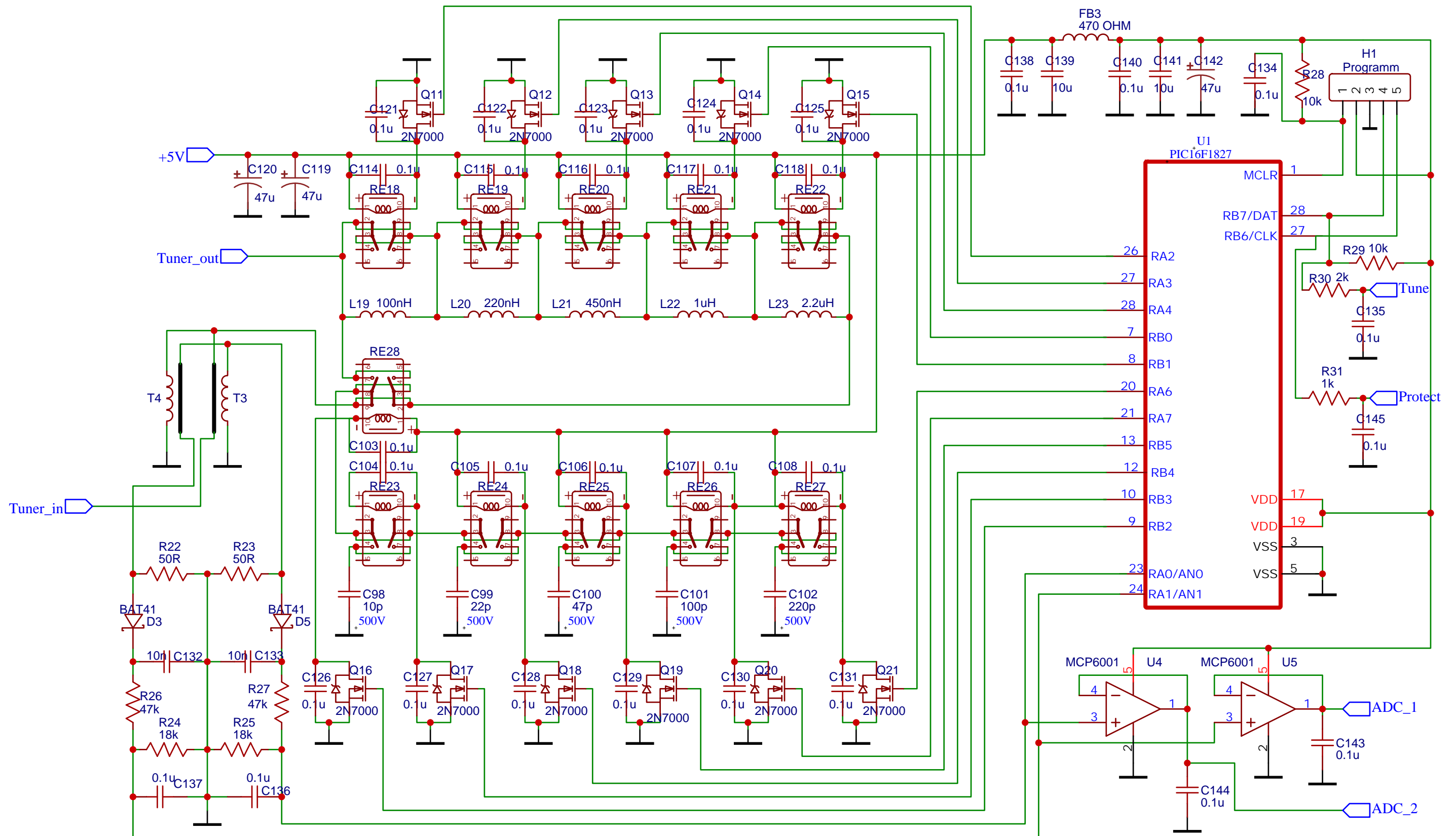


TITLE: HFPU-100, Power		REV: 1.0
Date: 2018-09-03	Sheet: 1/1	
EasyEDA V5.7.26	Drawn By: David Fainitski	



Legend : 2R18 - 2xT50-6(Red) cores, 18 turns
 B19 - T50-10(Black) core, 19 turns
 8A5 - 8mm Air core, 5 turns

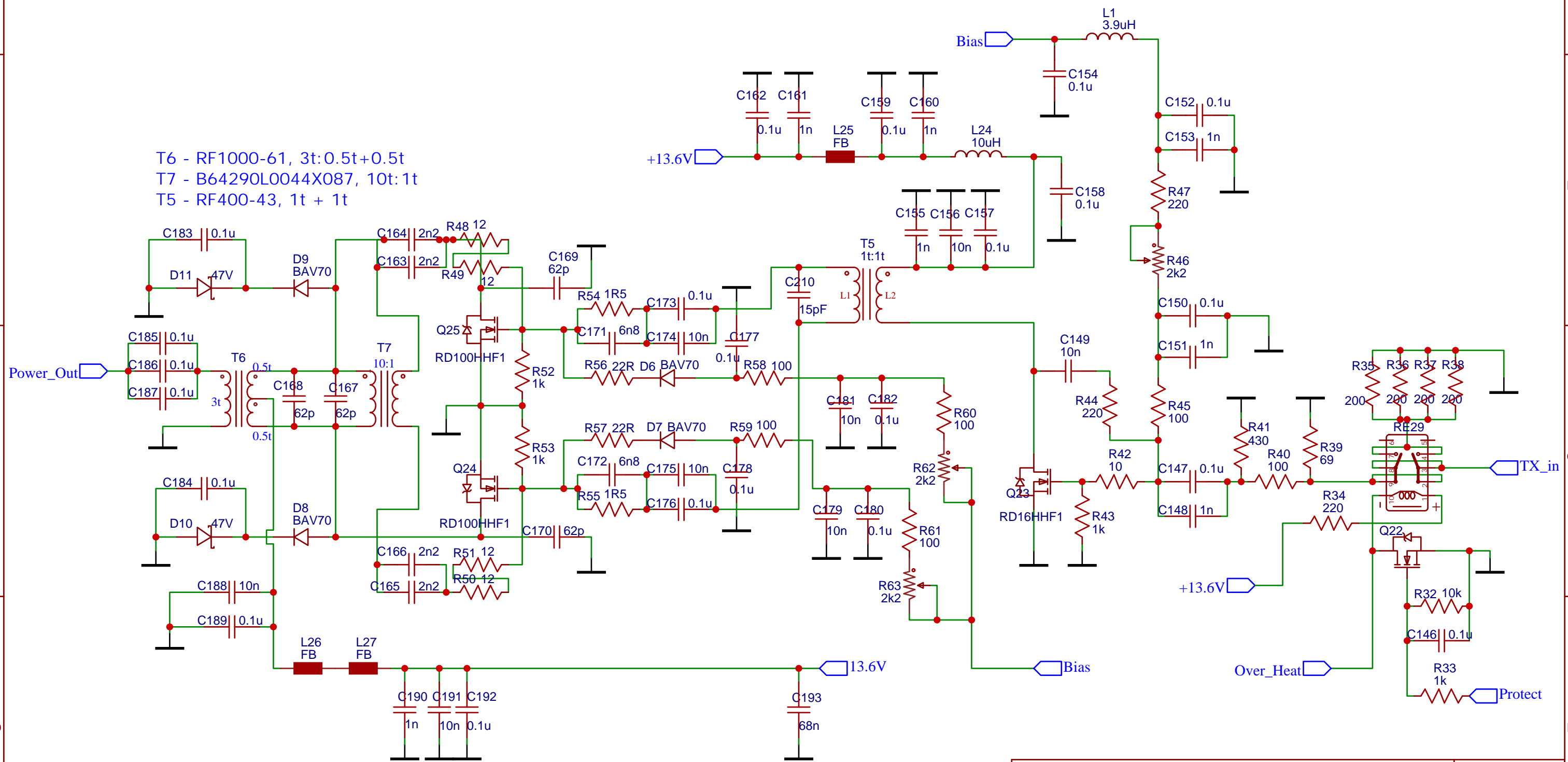
TITLE: HFPU-100, Filters		REV: 1.0
Date: 2018-09-03	Sheet: 1/1	
EasyEDA V5.7.26	Drawn By: David Fainitski	



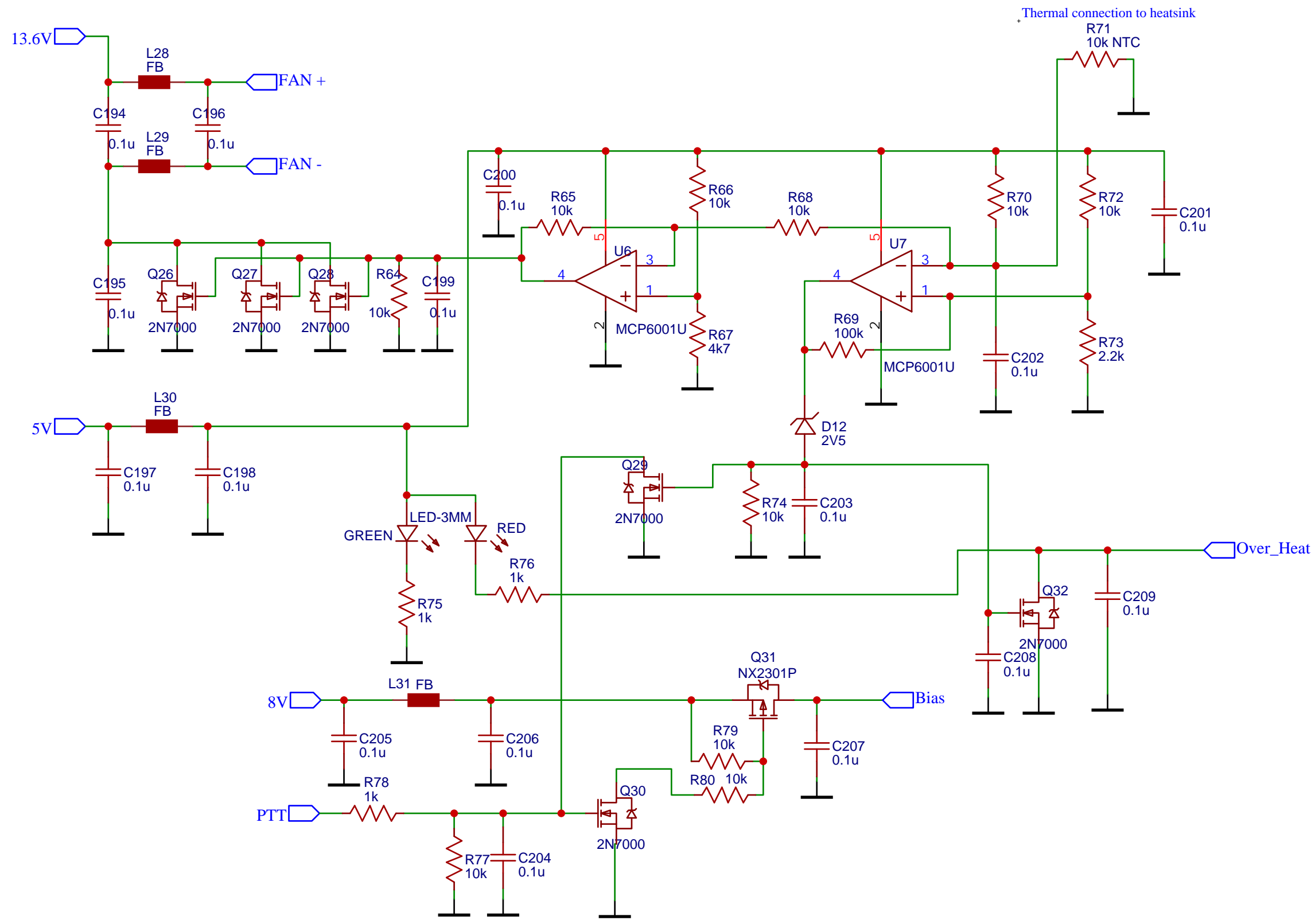
T3, T4 - TANDEM MATCH, BN43-1502 AMIDON CORE 1:10
 L23- 2xT68-2 AMIDON CORE 0.8mm WIRE, 13t
 L21, L22 -T68-2 AMIDON CORE 0.8mm WIRE, 8t, 13t
 L19, L20 - 6mm AIR CORE 0.8mm WIRE, 4t, 7t

TITLE: HFPU-100, Auto Tuner		REV: 1.0
Date: 2018-09-06	Sheet: 1/1	
EasyEDA V5.7.26	Drawn By: David Fainitski	

T6 - RF1000-61, 3t:0.5t+0.5t
 T7 - B64290L0044X087, 10t:1t
 T5 - RF400-43, 1t + 1t



TITLE: HFPU-100, Amplifier		REV: 1.0
Date: 2018-09-07		Sheet: 1/1
EasyEDA V5.7.26	Drawn By: David Fainitski	



TITLE: HFPU-100, Fan control		REV: 1.0
Date: 2018-10-03	Sheet: 1/1	
EasyEDA V5.7.26	Drawn By: rolin791	