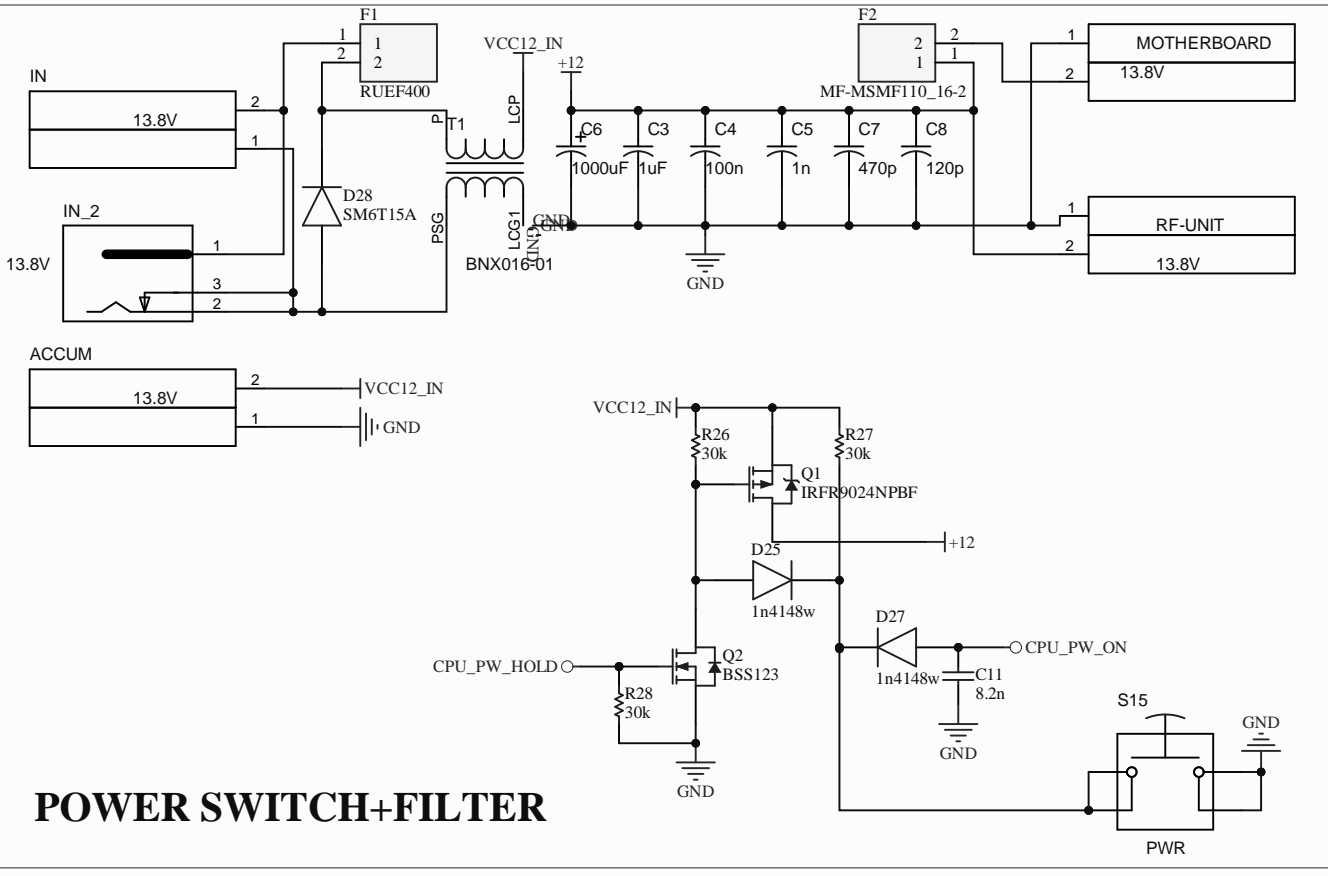
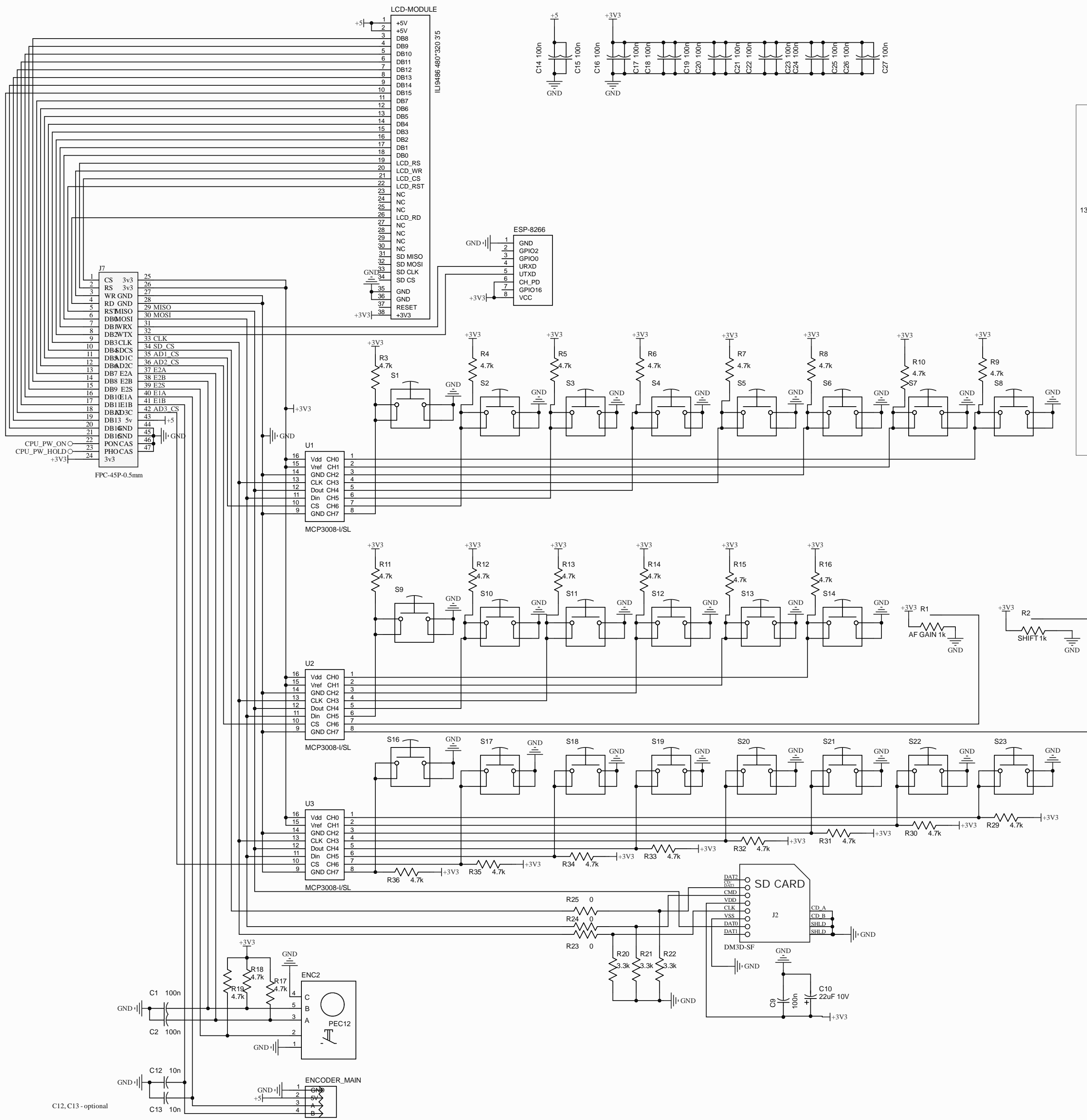


### 3'5 Inch version



Comment	Description	Designator	Footprint	Quantity
0	RES_0805	R23, R24, R25	RES_0805	3
1n	CAP_1206	C5	CAP_1206	1
1n4148w	Diode	D25, D27	SOD3716X135N	2
1uF	CAP_1206	C3	CAP_1206	1
3.3k	RES_0805	R20, R21, R22	RES_0805	3
4.7k	RES_0805	R3, R4, R5, R6, R7, R8, R9, R10, R11, R12, R13, R14, R15, R16, R17, R18, R19, R29, R30, R31, R32, R33, R34, R35, R36	RES_0805	25
8.2n	CAP_1206	C11	CAPC2013X94X50LL20 T25	1
10n	CAP_0805	C12, C13	CAP_0805	2
22uF 10V	EEFEC_sizeB	C10	EEFEC_sizeB	1
30k	RES_0805	R26, R27, R28	RESC2013X60X40NL20 T25	3
100n	CAP_0805	C1, C2, C9, C14, C15, C16, C17, C18, C19, C20, C21, C22, C23, C24, C25, C26, C27	CAP_0805	17
100n	CAP_1206	C4	CAP_1206	1
120p	CAP_1206	C8	CAP_1206	1
470p	CAP_1206	C7	CAP_1206	1
1000uF	CAP250RP	C6	CAP250RP	1
BNX016-01	BNX016-01	T1	TRANSF_ICORE	1
BSS123	N-Channel Logic Level Enhancement Mode Field Effect Transistor, 1.7 V, -55 to 150 degC, 3-Pin SOT-23, RoHS, Tape and Reel	Q2	FAIR-SOT23-3_V	1
DM3D-SF	Micro SD Card Connector, Push- Pull, Top Board Mounting, 125 V, 0.5 A, -25 to 85 degC, 8- Pin SMD, RoHS, Tape and Reel	J2	HIRO-DM3D-SF_V	1
ESP-01 ESP8266	ESP-01 ESP8266	ESP-8266	ESP-01 ESP8266	1
FPC-45P-0.5mm	Connector	J7	FH12S45S05SH60	1
ILI9486 480*320 3'5	LCD- MODULE_3'2_480x320	LCD-MODULE	LCD-MODULE-3.2-480- 320	1
IRFR9024NPBF	IRFR9024NPBF, Транзистор, P-канал 55В 11А	Q1	ONSC-DPAK-3-369C- 01_V	1
JX2	JX2	ACCUM, IN, MOTHERBOARD, RF- UNIT	JX2	4
MCP3008-I/SL	MCP3008-I/SL	U1, U2, U3	MCP3008-I/SL	3
MF-MSMF110_16-2	Fuse	F2	FUSC4632X85N	1
OPTICAL ENCODER	OPTICAL ENCODER	ENCODER_MAIN	644456-4	1
PEC12	PEC12	ENC2	PEC12	1
PJ-050B	PJ-050B	IN_2	PJ-050B	1
PTS645SK50LFS	PTS645SK50LFS	S1, S2, S3, S4, S5, S6, S7, S8, S9, S10, S11, S12, S13, S14, S15, S16, S17, S18, S19, S20, S21, S22, S23	PTS645SK50LFS	23
ptv09a-4225f-b102	Adjustable Resistor PTV09	R1, R2	PTV09	2
RUEF400	Fuse	F1	RUEF400	1
SM6T15A	Diode	D28	SMBJ36CATR	1