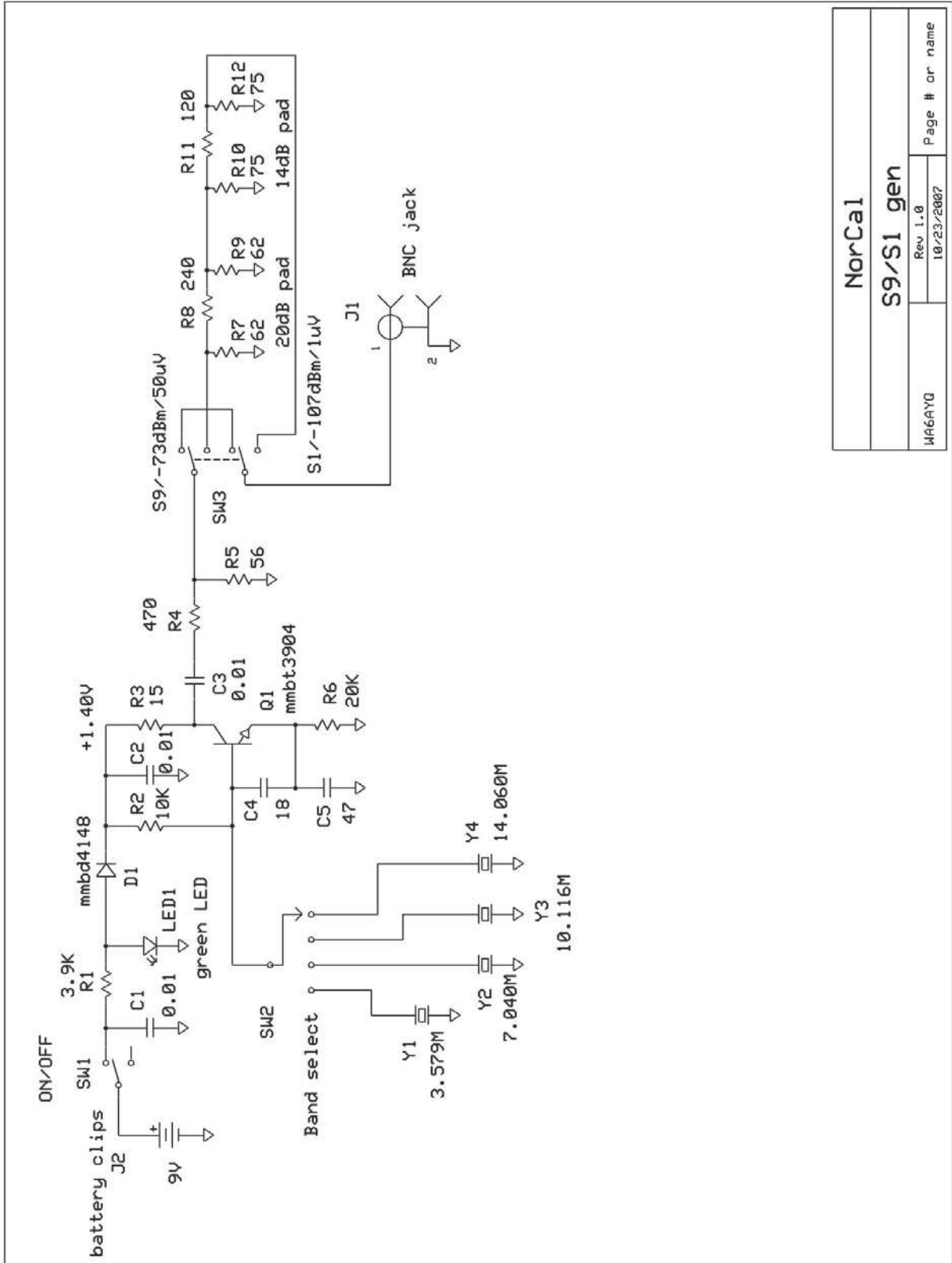


APPENDIX C. S9 Schematic



NorCal	
S9/S1 gen	
Rev. L.0	Page # or name
10/23/2007	
WA6AYQ	