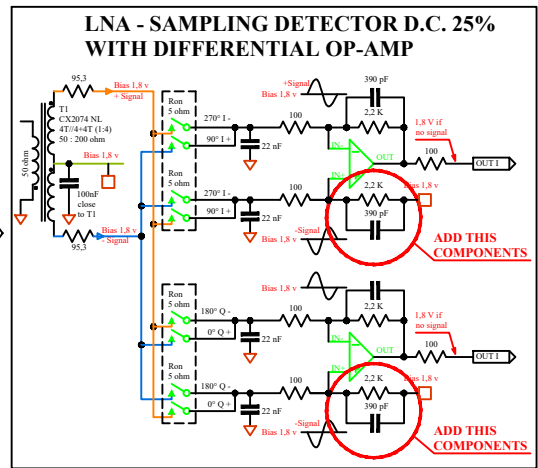
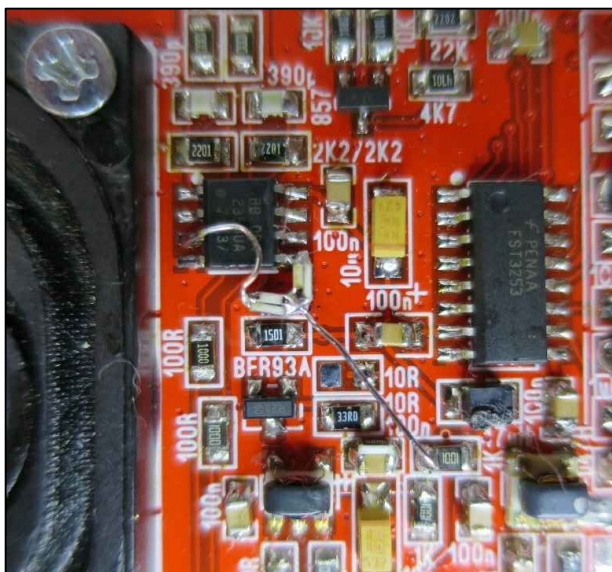


BEFORE AMP IMPROVEMENT



AFTER AMP IMPROVEMENT

EAGLE RF BOARD



Comparison of Typical r_{on} vs. V_I for the CBT, CBTLV and CB30 Bus Switch Families

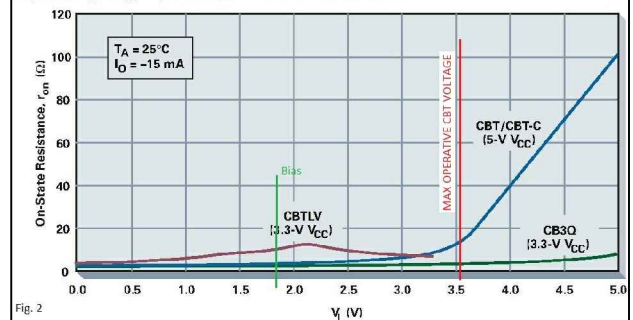


Fig. 2

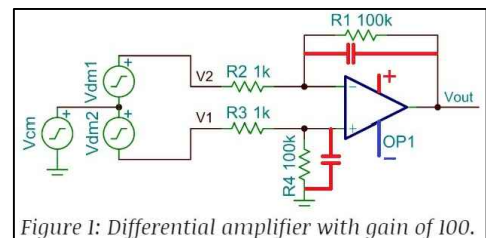


Figure 1: Differential amplifier with gain of 100.