

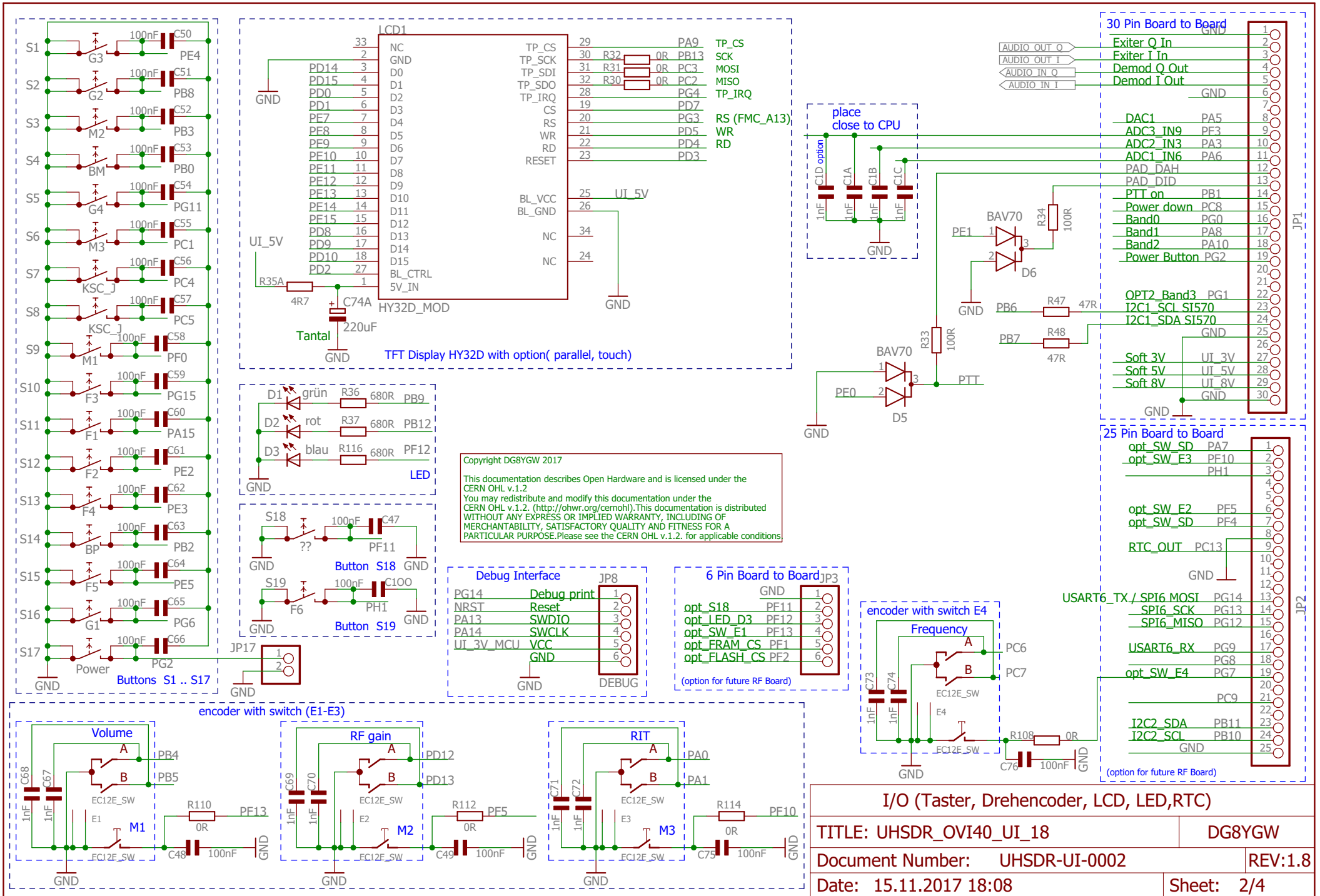
DFU mode		B0 (P6)	B1 (Button Band+)
Flash	open	open	don't care
ROM	short	short	pressed

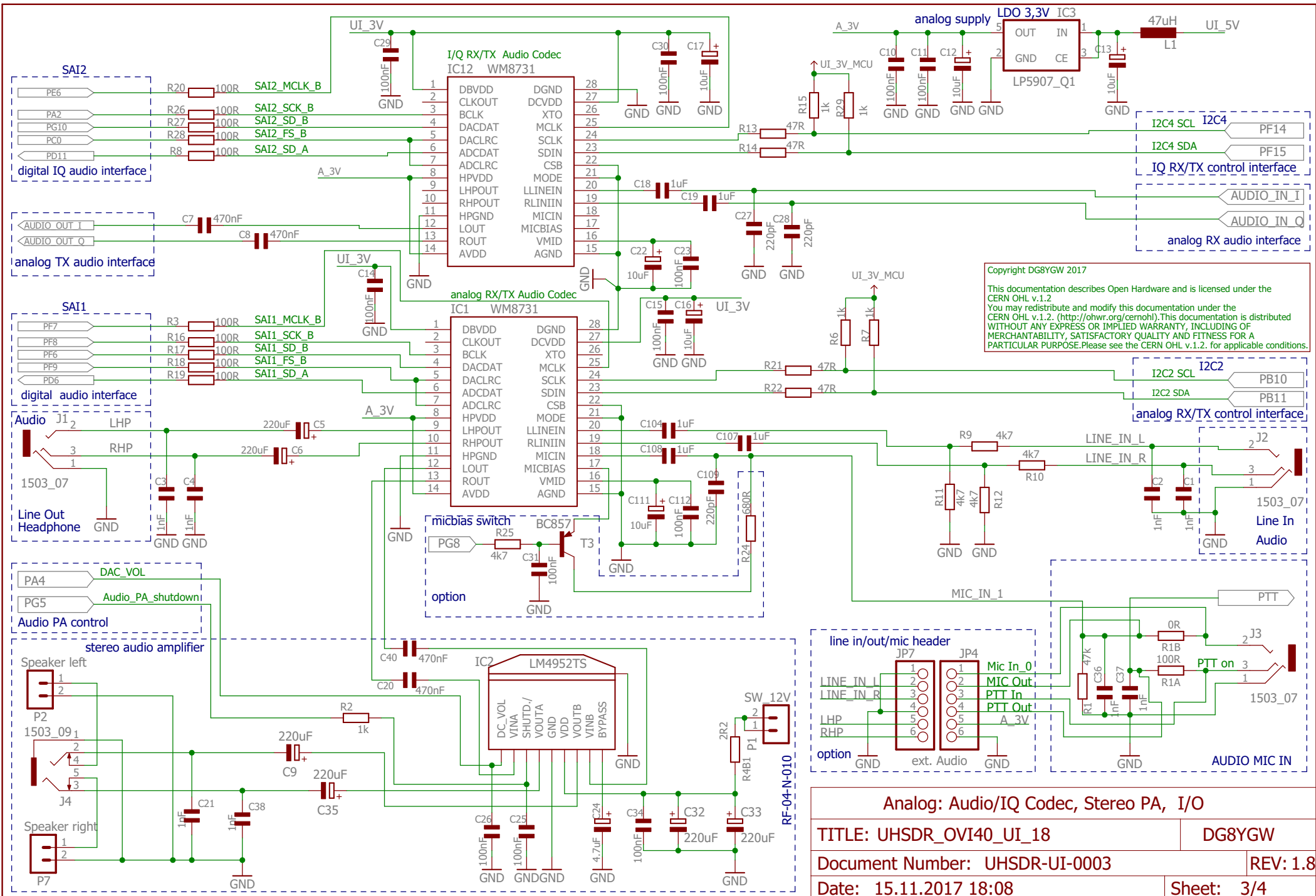
STM32F76X\_ZIT6

additional Ports LQFP144

Copyright DG8YGW 2017  
 This documentation describes Open Hardware and is licensed under the CERN OHL v.1.2  
 You may redistribute and modify this documentation under the CERN OHL v.1.2. (<http://ohwr.org/cernohl>). This documentation is distributed WITHOUT ANY EXPRESS OR IMPLIED WARRANTY, INCLUDING OF MERCHANTABILITY, SATISFACTORY QUALITY AND FITNESS FOR A PARTICULAR PURPOSE. Please see the CERN OHL v.1.2. for applicable conditions

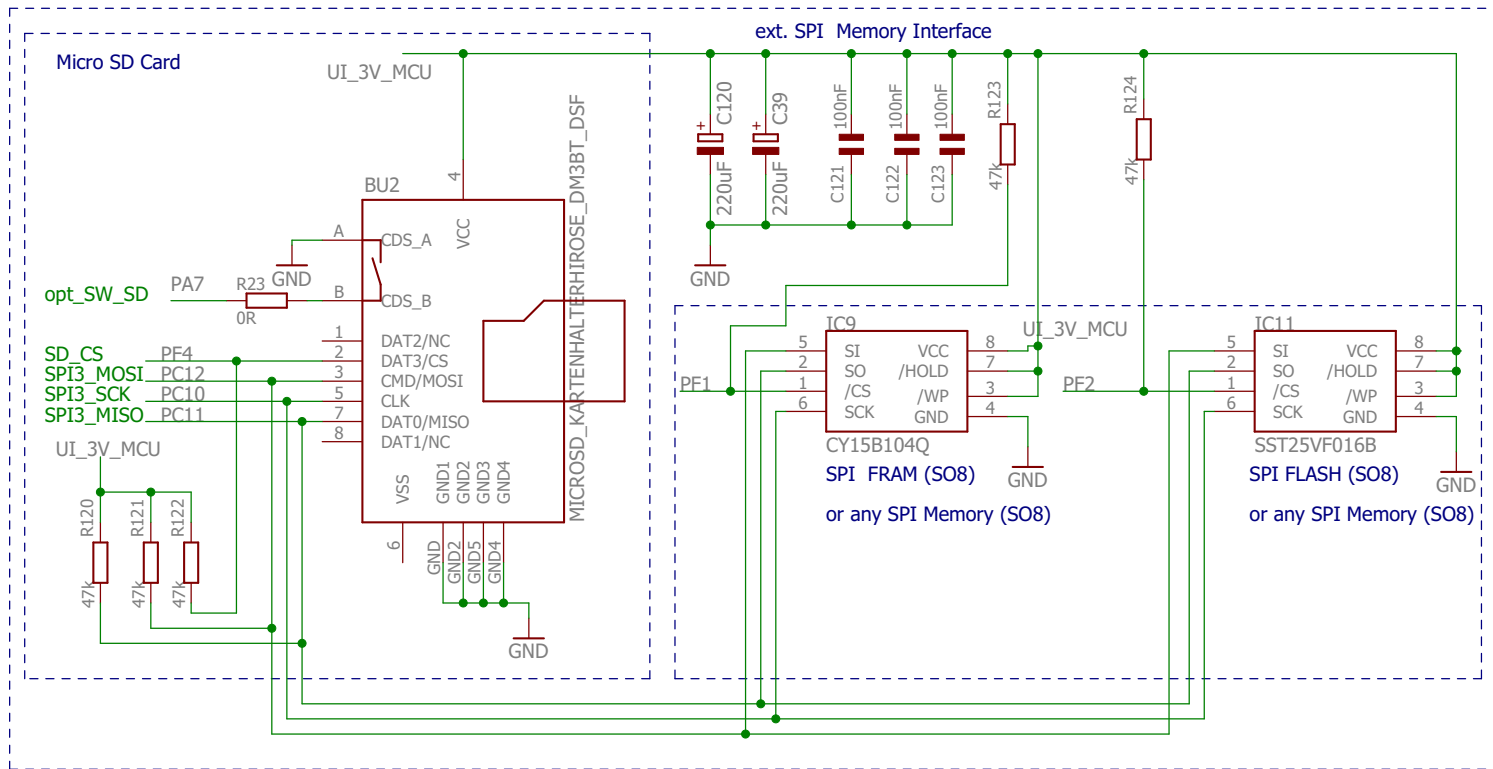
CPU, EEprom, Power, USB	
TITLE: UHSDR_OVI40_UI_18	DG8YGW
Document Number: UHSDR-UI-0001	REV: 1.8
Date: 15.11.2017 18:08	Sheet: 1/4



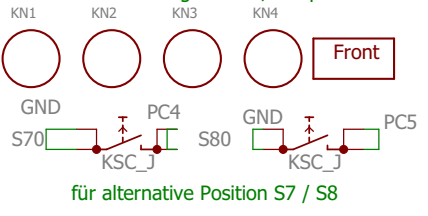


Copyright DG8YGW 2017  
 This documentation describes Open Hardware and is licensed under the CERN OHL v.1.2  
 You may redistribute and modify this documentation under the CERN OHL v.1.2. (<http://ohwr.org/cernohl>). This documentation is distributed WITHOUT ANY EXPRESS OR IMPLIED WARRANTY, INCLUDING OF MERCHANTABILITY, SATISFACTORY QUALITY AND FITNESS FOR A PARTICULAR PURPOSE. Please see the CERN OHL v.1.2. for applicable conditions.

<b>Analog: Audio/IQ Codec, Stereo PA, I/O</b>	
TITLE: UHSDR_OVI40_UI_18	DG8YGW
Document Number: UHSDR-UI-0003	REV: 1.8
Date: 15.11.2017 18:08	Sheet: 3/4



keine zusätzlichen Bauteile, nur Hilfsmittel für 3D Darstellung Front / Knöpfe



Copyright DG8YGW 2017  
 This documentation describes Open Hardware and is licensed under the CERN OHL v.1.2.  
 You may redistribute and modify this documentation under the CERN OHL v.1.2. (<http://ohwr.org/cernohl>). This documentation is distributed WITHOUT ANY EXPRESS OR IMPLIED WARRANTY, INCLUDING OF MERCHANTABILITY, SATISFACTORY QUALITY AND FITNESS FOR A PARTICULAR PURPOSE. Please see the CERN OHL v.1.2. for applicable conditions.

<b>Ext Memory: SPI Micro SD-Card, FLASH, FRAM</b>	
TITLE: UHSDR_OVI40_UI_18	DG8YGW
Document Number: UHSDR-UI-0004	REV: 1.8
Date: 15.11.2017 18:08	Sheet: 4/4