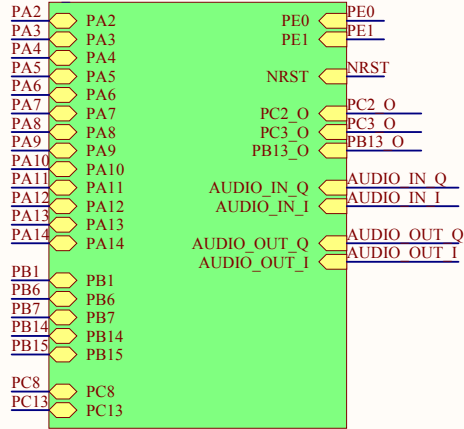
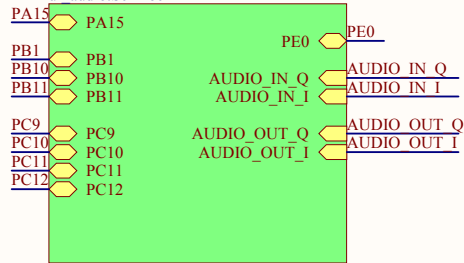


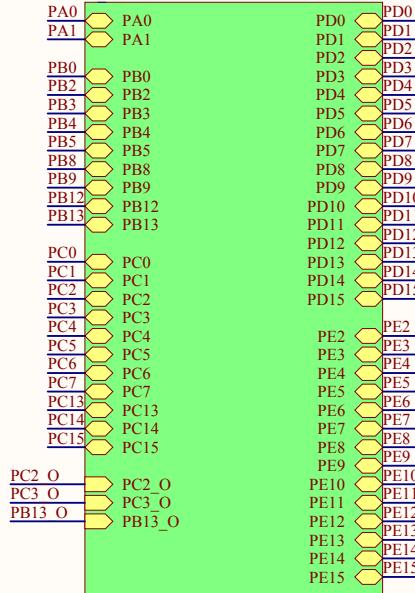
RF board interface and USB  
ui\_conn.SchDoc



Codec and audio switching  
ui\_audio.SchDoc



Front panel user controls  
ui\_front.SchDoc



Mcu, power and clocks  
ui\_mcup.SchDoc

